



*only touch
to open*

BLUE WEST ONE TOUCH LOCKS

MAGNETIC LOCK WITH CONTACT OPENING TECHNOLOGY

For impressive entrances
For high quality solutions
For many applications

CONTACT-only touch to open: All you need to do to open the door is to touch the metallic element connected to the lock. With this new function, we can get a much cleaner look stainless steel plate. By using hardware with a more flat design and easier to install, lock flush handles. By creating this technology, opening doors becomes easy and simple. The silent mode, the smooth locking, and magnetic latch are some of the features specially created to guarantee a unique comfort. To make it suitable with the most common lock sizes, all the electronics and with a light switch. Mechanical parts were developed to suit all the DIN size locks. We can activate an internal lock.





BDL-3.00.101.K



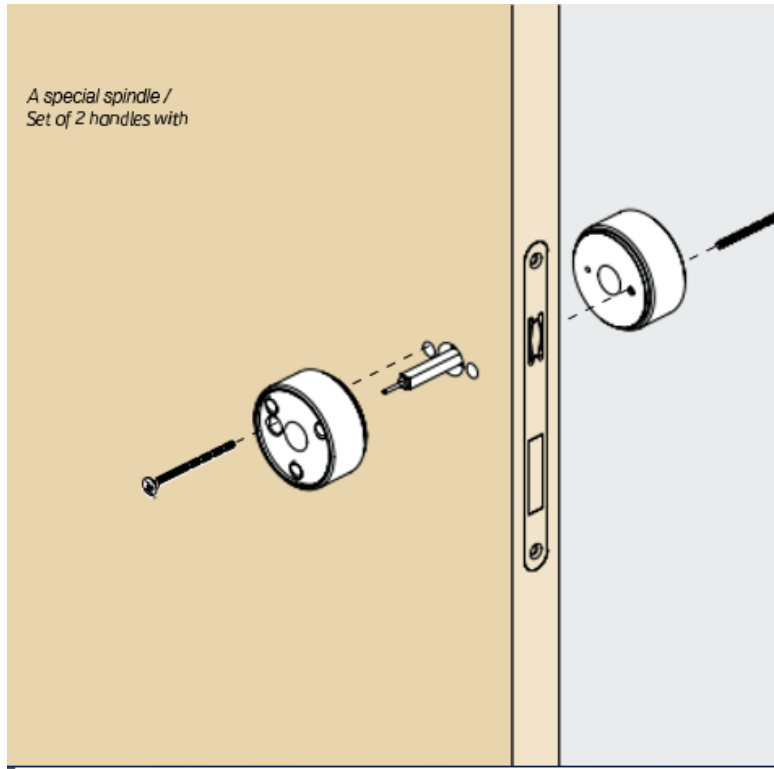
BDL-3.00.100.K



BDL-3.00.100.KN.K



BDL-3.07.432.K



contact
ONLY TOUCH TO OPEN





BDL-3.16.234.K



BDL-3.16.237.200.K



BDL-3.16.412.K



BDL-3.16.414.K



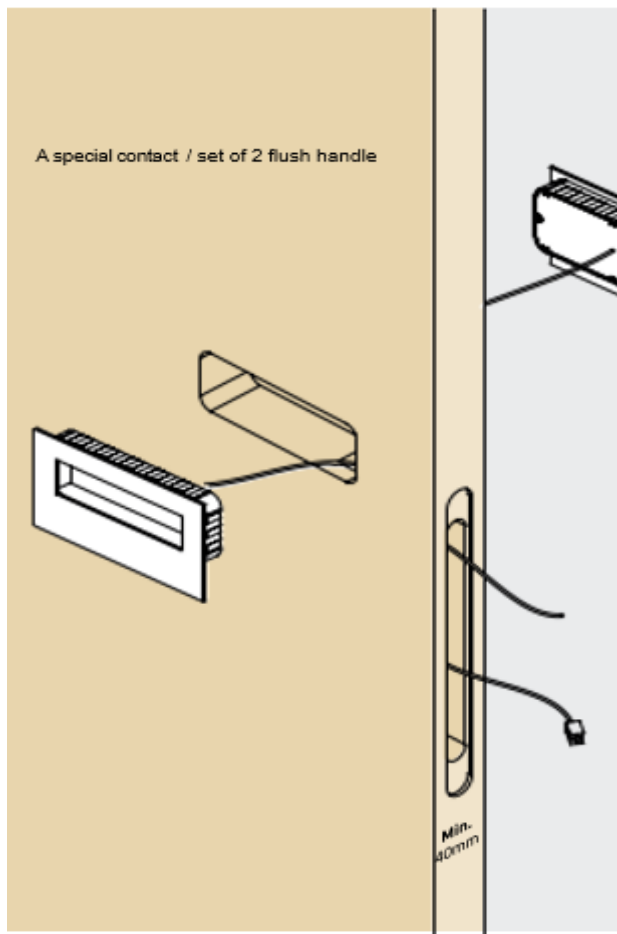
BDL-3.16.410.K



BDL-3.16.430.K



BDL-3.16.416.K



TECHNICAL FEATURES



SILENT MAGNETIC LATCH



AUTONOMOUS LOCK- AAA 1.5 V BATTERY. NO NEED TO ELECTRIFY THE DOOR.



MOTORIZED LOCK. THE LATCH COLLECTS WITHOUT NEEDING TO OPERATE THE HANDLE.



OPTIONAL BUTTON FOR DOOR LOCK FROM INSIDE, WITH COLOR INDICATION WHEN CLOSED.



SOUND MONITORING ALERTS FOR STATUS.



CALIBRATION IN FRONT OF THE LOCK.



DIN SIZE LOCK



ROUND CORNER LOCK FOR EASY DOOR MECHANIZATION.

EMERGENCY DOOR RELEASE

In the event of an emergency, if you cannot remove the door handle on the inside of the hinge, prize opens the door, applying serious force around the handle area. With 1 KN of force, the safety clip on the latch will yield and the door will open.



Insert a plastic card in the crack of the door at the lock's height, using it to feel for the top edge of the latch. Next, slide the bottom of the card into the recess on the side of the latch. Now pull down vertically up to stop on the door edge. The latch is now pushed in and the door can be opened. Only remove the card from the recess once you have opened it.



ADDRESS:

Neuer Wall 71, c/o WorkRepublic
20354 Hamburg
Germany

TEL & FAX: +49 40 99 99 94 42 9

EMAIL: Info@bluest.com

