

**Bluewest.de**

info@Bluewest.de

**ADDRESS:**

Neuer Wall 71, c/o WorkRepublic

20354 Hamburg

Germany

**TEL & FAX:** +49 40 99 99 94 42 9



**BLUE WEST**  
GmbH

**DOOR HARDWARE:  
HINGES**

Access Solutions Consulting  
& Sales Company

For impressive entrances  
For high quality solutions  
For many applications



## DOOR HARDWARE: HINGES



High performance hinges, conforming to **BS EN 1935**, with CE marking, suitable for use on fire / smoke check doors.

- Carry the weight of the doors without sagging.
- Allow the doors to swing easily and with minimum friction.
- Withstand the forces exerted on them and through them by door closers.

### DECLARATION OF PERFORMANCE (DOP) / CE MARKING

The regulation (EU) No 305 / 2011 entered in to force on July 1, 2013, laying down harmonized conditions for the marketing of construction products and repealing Council Directive 89 / 106 / EEC. This regulation requires manufacturers of construction products to draw up a declaration of performance when a construction product is covered by a harmonized standard or complies with a European Technical Assessment issued for this product. Making a declaration of performance, the manufacturer assumes legal responsibility for the conformity of the product with the declared performance. If the performance statement hasn't been made by the manufacturer, CE marking cannot be affixed. The single-axis hinges only can have the CE marking when they have and intended use in fire doors / smoke and emergency exit doors. In this case, should follow the System 1 of assessment and verification of constancy of performance. Harmonized standard for hinges: **EN 1935**.

### FIRE RESISTANCE / CERTIFICATION

Classification of fire resistance performance by accordance with **EN 13501- 2: 2007 + A1: 2009**.

### KITS FOR INTUMESCENT HINGE, APPLICABLE FIRE RATED DOORS

To ensure the resistance of classified and certified fireproof hinges the intumescent kits should be applied. The kits application must comply with **EN 1634**. The kits are made of expanding foam and supplied with self adhesive.

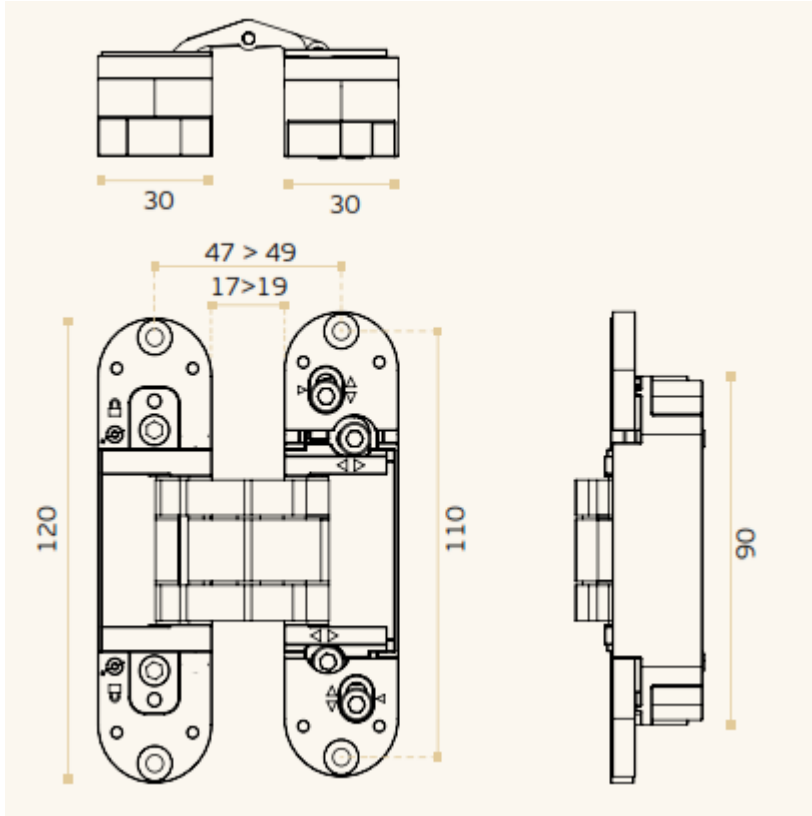




# CONCEALED HINGES



# DOOR HARDWARE: HINGES



**BDH-2.05.064**

3D Adjustable invisible hinge.

**3X**  
**60**  
**Kg**

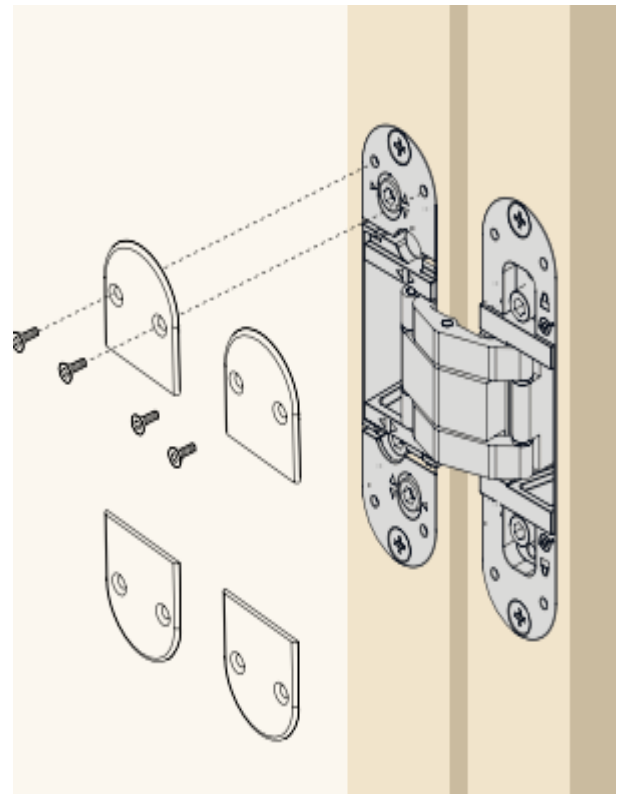
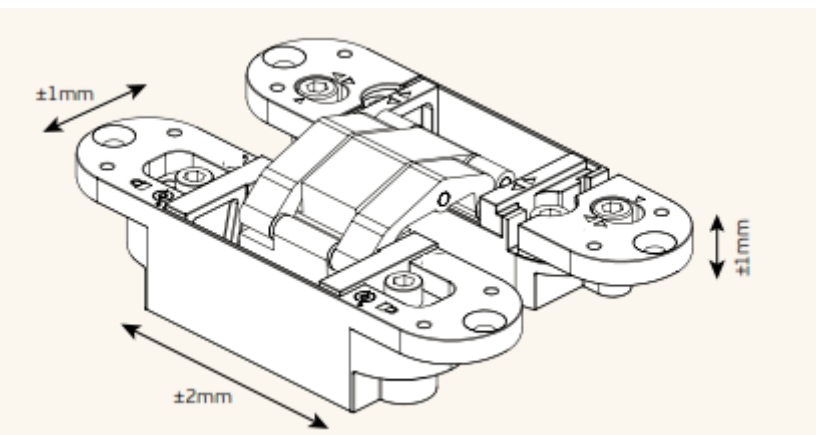
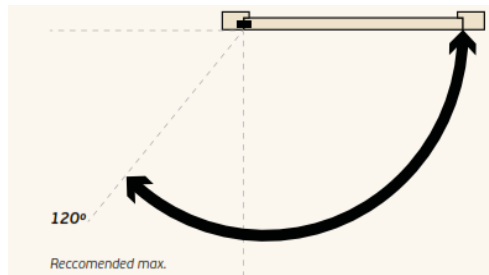
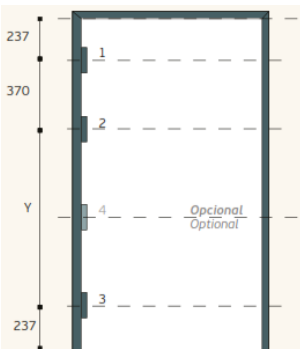
**200.000 CYCLES**

**2X**  
**50**  
**Kg**

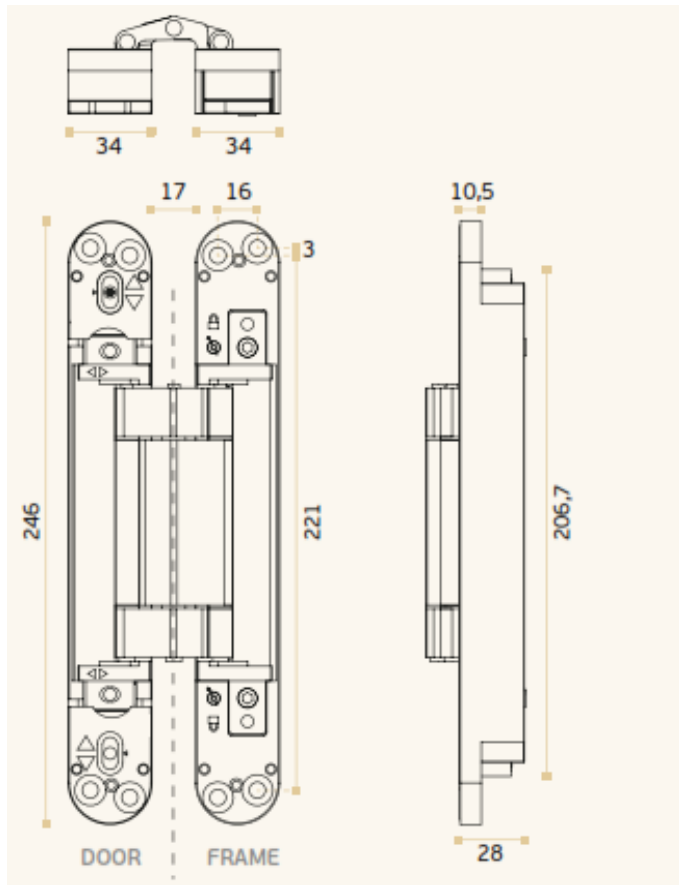
**100.000 CYCLES**



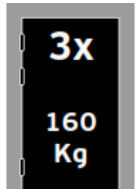
## Distribution:



# DOOR HARDWARE: HINGES



**BDH-2.05.063.B**  
Black edition; 3D Adjustable invisible hinge.

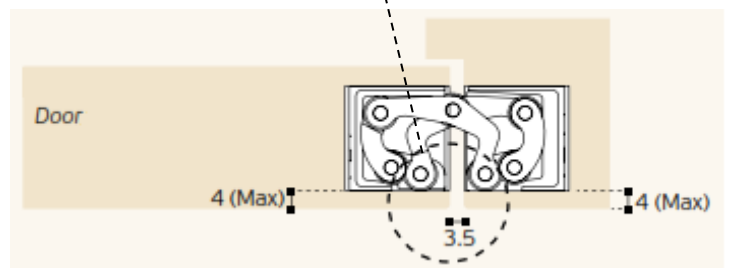
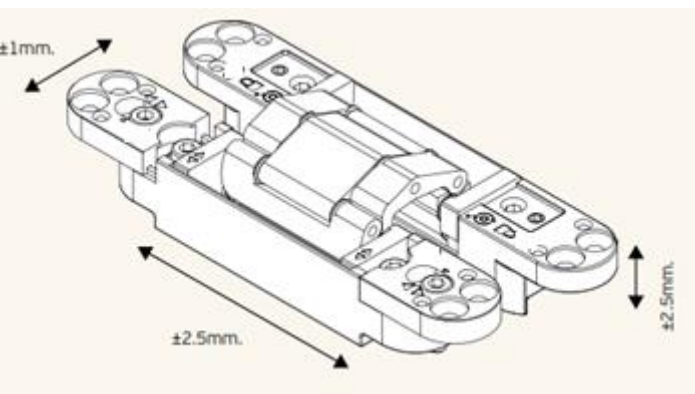
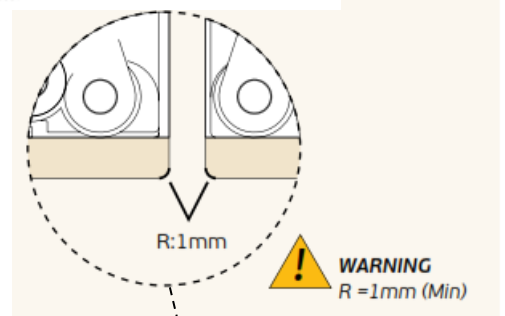
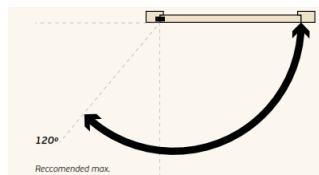
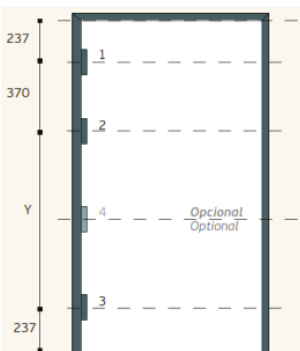


**200.000 CYCLES**



**100.000 CYCLES**

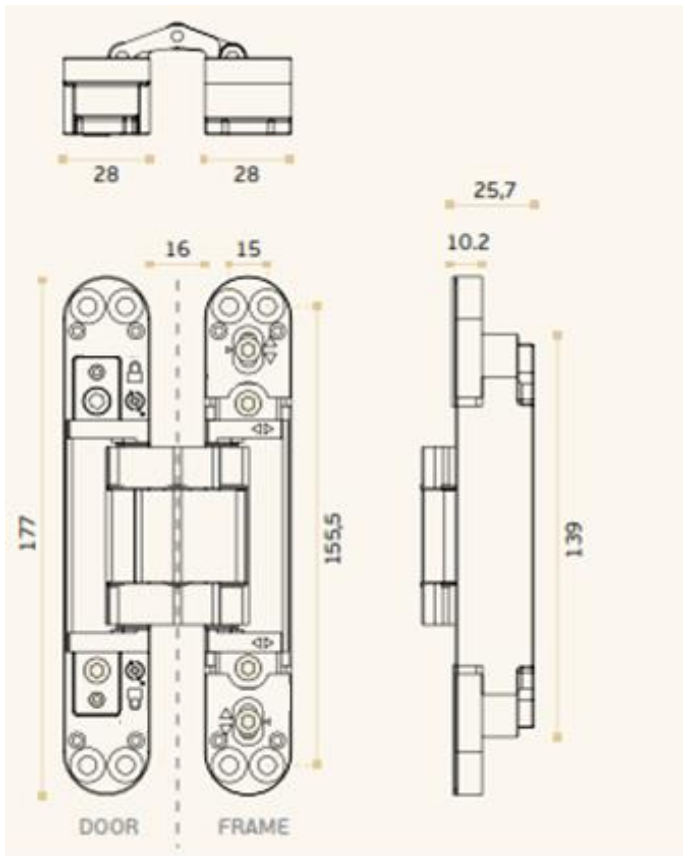
**Distribution:**



# DOOR HARDWARE: HINGES

## BDH-2.05.062

3D Adjustable invisible hinge.



**3X**

**90  
Kg**

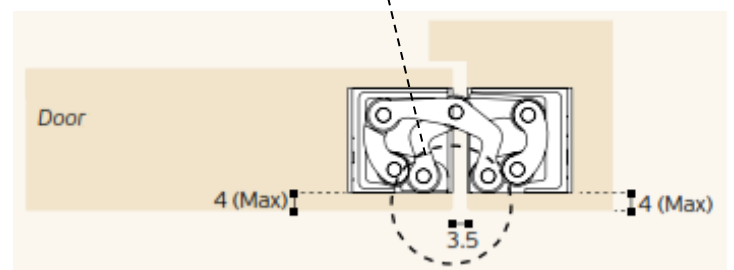
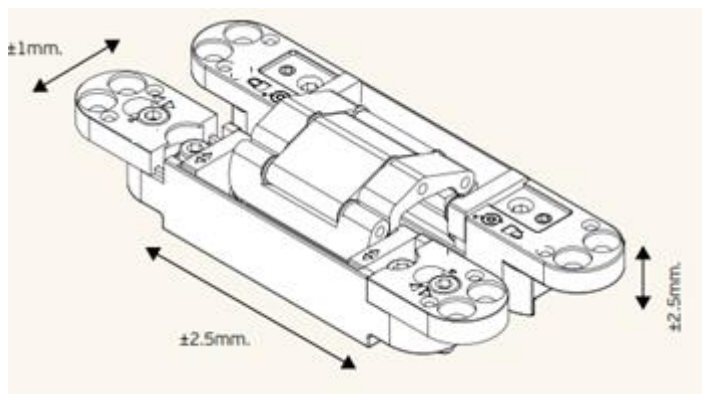
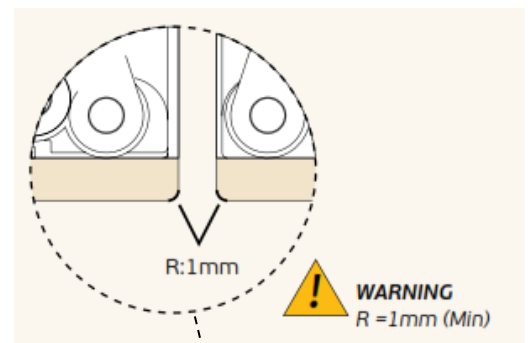
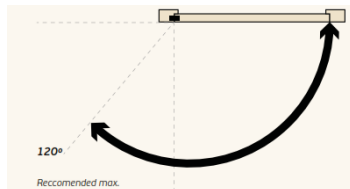
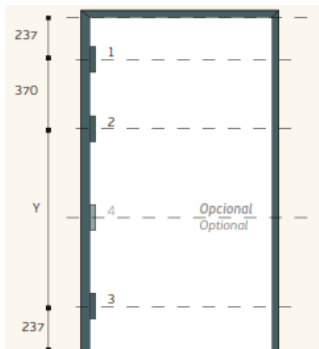
**200.000 CYCLES**

**2X**

**80  
Kg**

**100.000 CYCLES**

Distribution:





## HIDDEN DOOR CLOSER HINGES



### **BGH-5.845E 20**

### **BGH-5.845E 10**

The new hidden oildynamic doorcloser hinge, for framed doors with a stop. Upon customer request. This type is completely hidden into the profile, and adapted to every project.

#### **Features:**

- Hydraulic closing.
- Invisible – hidden into the profile.
- Adjustability of the closing speed.
- 90° Stop.
- Minimum dimensions 25 x 25 mm.

The installation of the upper hinge is completed by the dedicated hidden lower hinge.

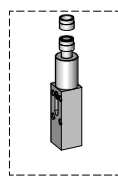


**BGH-5.845E 20**  
Upper hinge

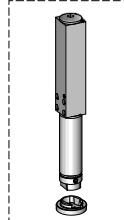


**BGH-5.845E 10**  
Bottom hinge

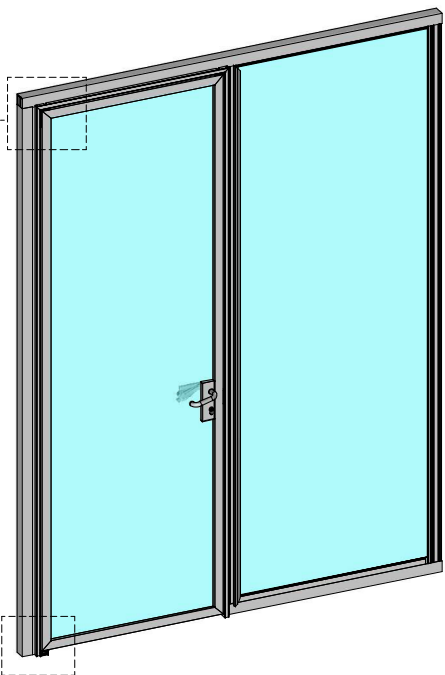




Hidden door closer hinges.



Hidden door closer hinges.



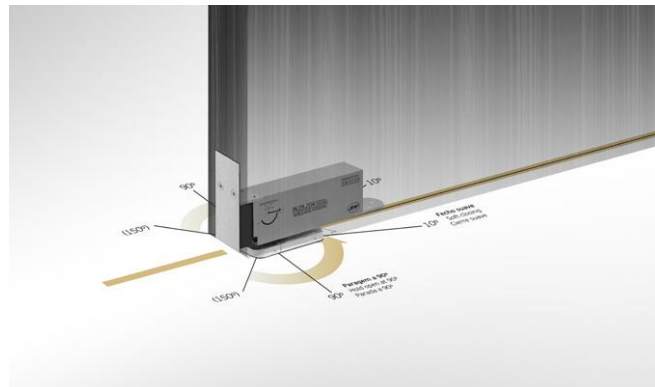
# FLUSH HINGES



## FLUSH HINGES

### BDH-5.05.204

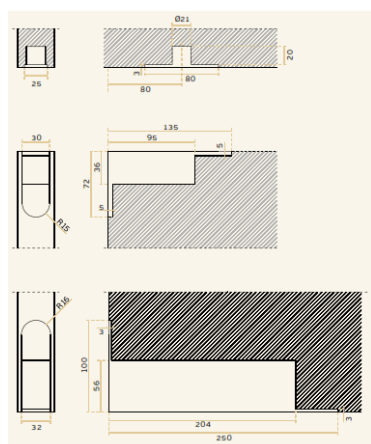
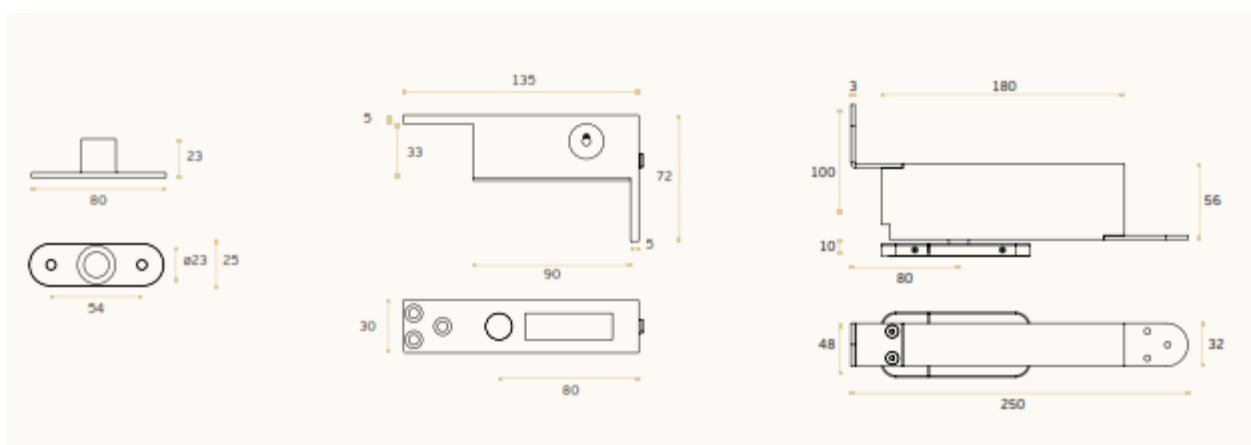
Flush hinge for double action or rebated doors for wood. Hydraulic pivot.



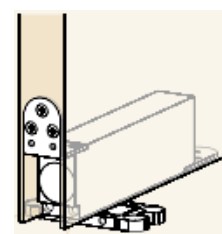
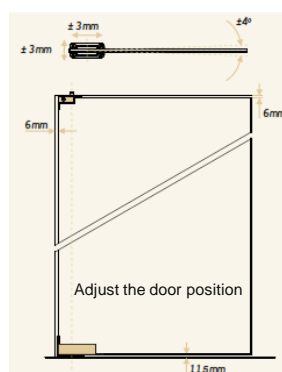
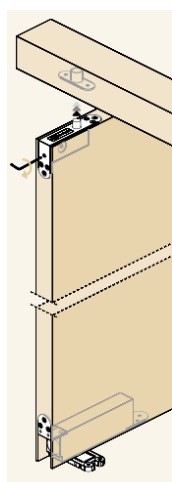
Hydraulic pivot set for double action or rebated wood doors:

Two speeds closing valve regulation.

- Max. door width 1000 mm.
- Max. Weight up to 100 Kg.
- Wood thickness: 40 mm.
- International patent.
- System for door position adjustment  $\pm 3\text{mm}$  /  $4^\circ$  (consult dw\*).
- Installation on floor surface.



Door cut:



N°1 - Closing speed    N°2 Brake speed



Fast    Slow





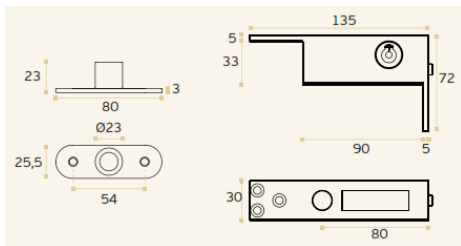


# DOOR HARDWARE: HINGES

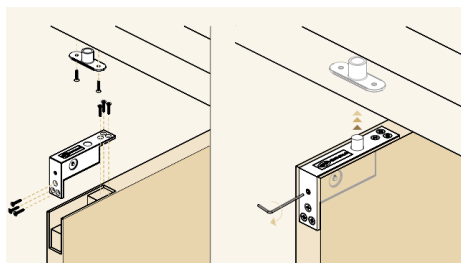
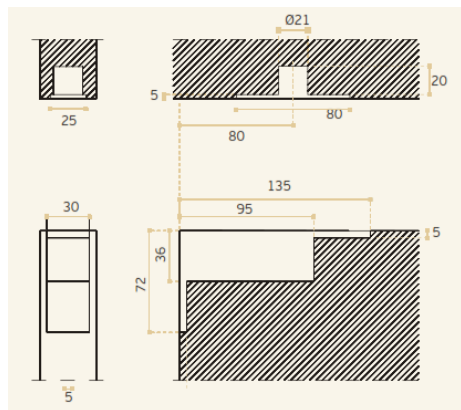
## FLUSH HINGES

### BDH-5.05.201

Flush hinges for double action or rebated doors.  
Top pivot with movable axle.



EN 1.4301 / Satin.



### TOP PIVOT

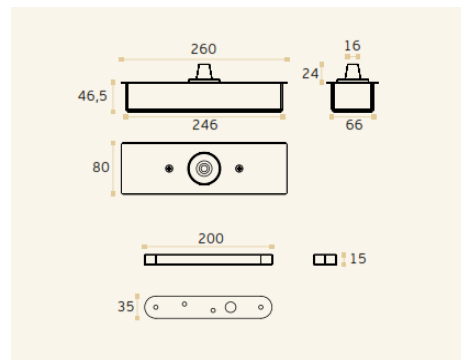
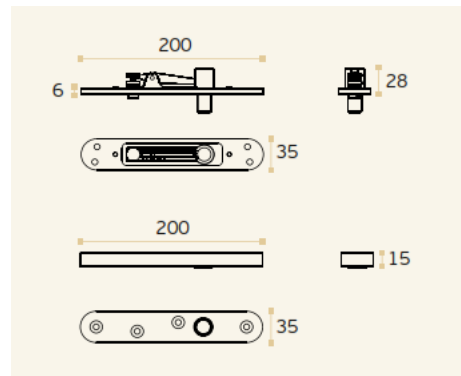
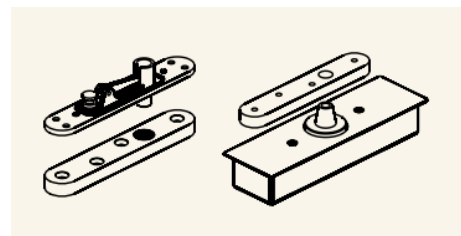
- Top pivot with movable axle.
- Applicable to door that go to the ceiling.
- Adjust of the axle by lateral screw.
- International design protected.

### BDH-5.05.500

Complete set of pivot for single or double action doors / 3D adjustment system. All components in stainless steel. With bearings in the upper and lower pivot. International patent.



EN 1.4301 / Satin.

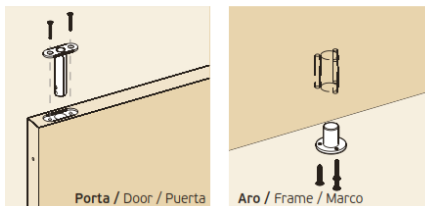
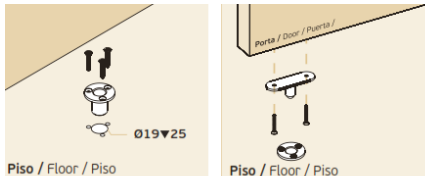
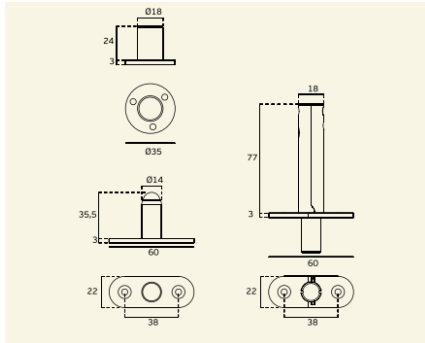


# DOOR HARDWARE: HINGES

## FLUSH HINGES

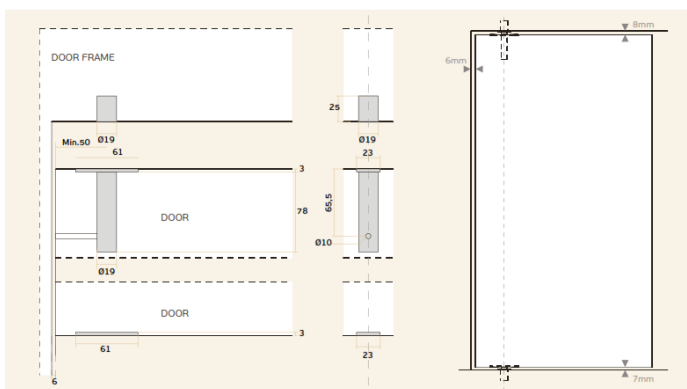
### BDH-5.05.208

Flush hinge for double / single action wooden or rebated doors.



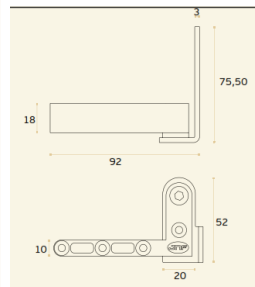
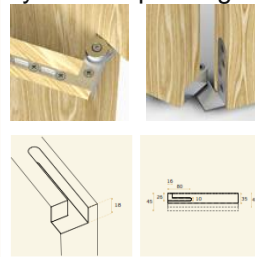
### COMPLETE SET OF SINGLE / DOUBLE ACTION DOORS.

- Bottom pivot with ball.
- Top pivot with lever axle.
- Shaft with 14 mm diameter.
- International registration.



### BDH-5.05.207

System for pivoting one way doors.



Adjustable height

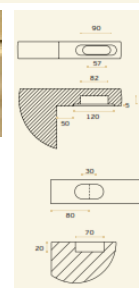
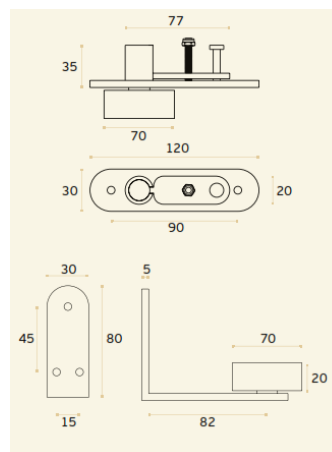


### PIVOTING SYSTEM.

- System for pivoting one way doors.
- Fixing in the door frame, not need to drill into the floor and ceiling.
- Adjustable height.
- Suitable for doors from 35 to 45 mm.

### BDH-5.05.202

Pivot system fixed to the door frame.



- Pivot system fixed to the door frame.
- The base don't need be fixed to the ground.
- Parts prepared for doors that are mechanized.
- Suitable for doors from 35 mm.

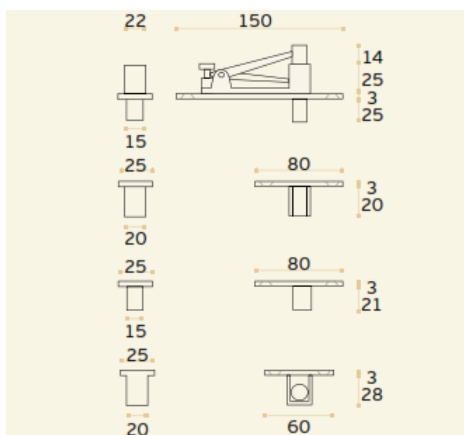
## DOOR HARDWARE: HINGES

### BDH-5.05.197

Flush hinge for double / single action or rebated doors.



Stainless steel body made by investment casting.



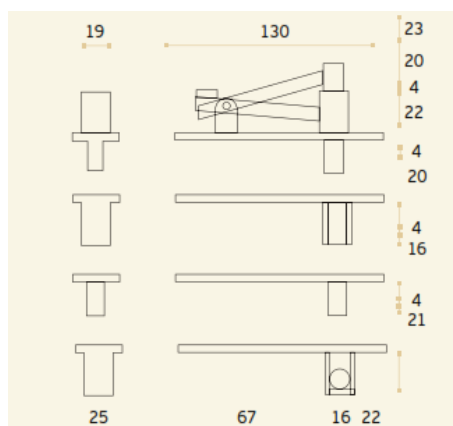
### BDH-5.21.200.W

Double action doors pivot.



### BDH-5.05.196.0.ECO

Flush hinge for double / single action doors.



**GLASS HINGES**

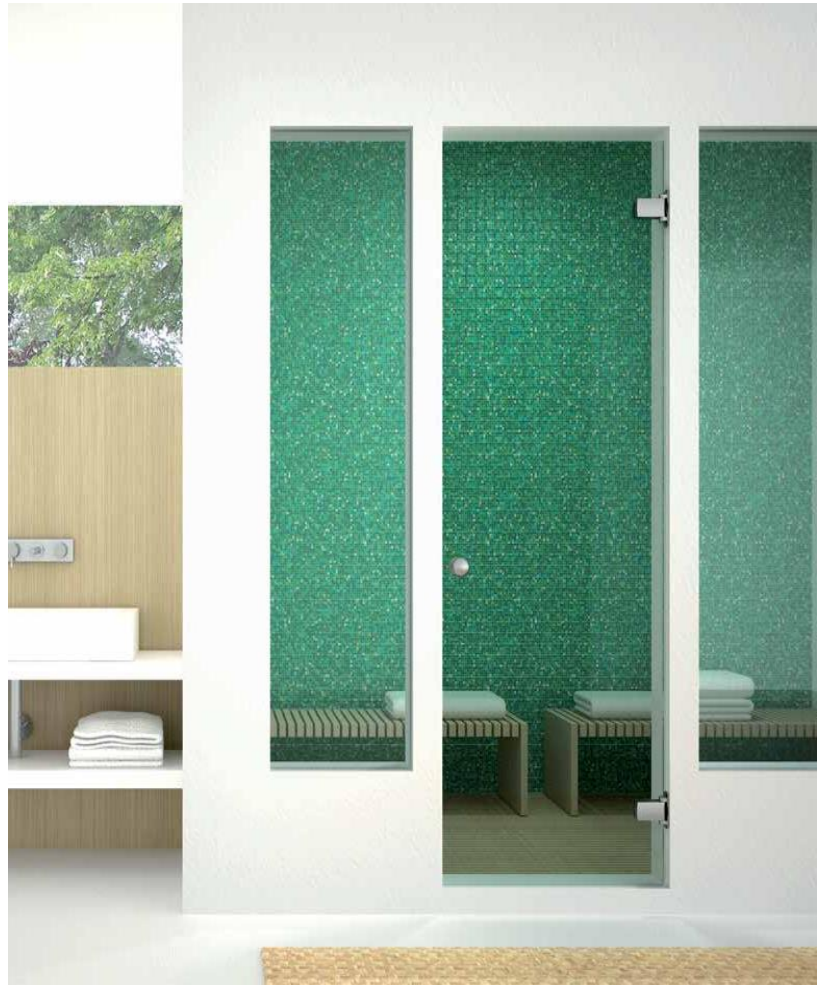
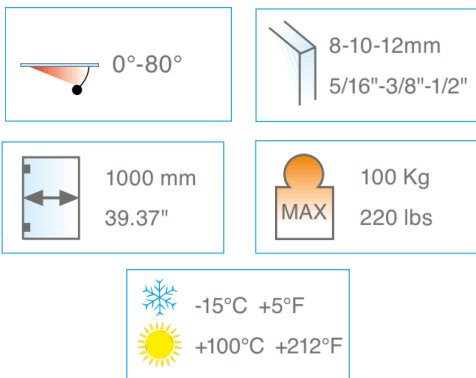
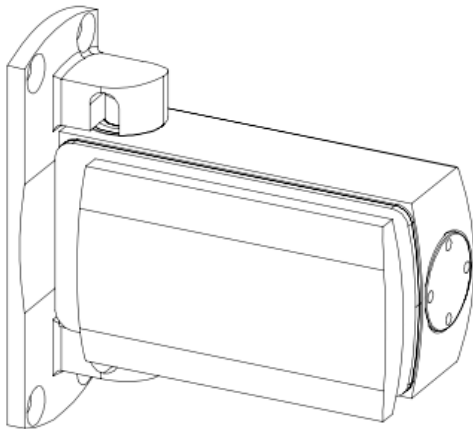




## DOOR HARDWARE: HINGES

### BGH-4.8060BT

Hydraulic hinges are born for application in wet areas such as showers, saunas and steam baths. Equipped with features characterizing the full BGH 8060 BT range, the new BT series hinges mount the pin in INOX AISI 420 stainless steel and Viton OR-rings. Therefore they resist temperatures up to 100°C. The tested, guaranteed and therefore recommended finishing is „22“ (deep oxidation 20 microns).



### BGH-4.8060BT

Hydraulic hinge conceived for applications in damp environments and also high temperatures like steam rooms and Turkish baths. For door with stop. Ideal for hermetic closing. Stop at +90°.

Hydraulic hinge with adjustment of the closing speed. The O-rings of the hydraulic circuit are made of Viton and the pivot is made of stainless steel AISI 420.

## DOOR HARDWARE: HINGES

### BGH-4.KSN8060

Showers and steam baths.



### BGH-4.KSN8060

The sauna set comprises of: 2 hinges BGH-8060BT and 1 pair of wooden knob. Stop at +90°.



## DOOR HARDWARE: HINGES

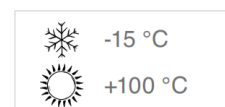
### BGH-4.KSN8061

Showers and steam baths.



### BGH-4.KSN8061

The steam baths set comprises of 2 hinges 8061BT, 2 Esproprofiles and 2 Esproprofiles. Esproprofiles are both in lengths of 3, 2 meters and avoid the steam run of. Stop at 90°.





**HEAVY DUTY HINGES**





# DOOR HARDWARE: HINGES

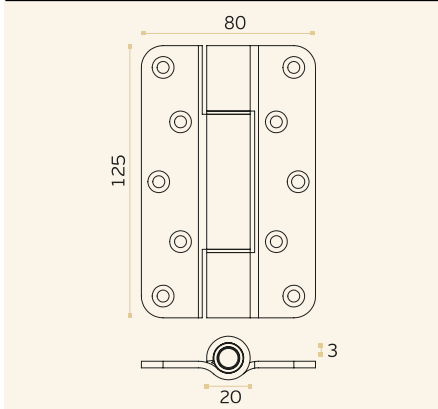
## BDH-1.05.042.B

Heavy duty hinge with soft close and with polymeric bushings.



MATERIAL: EN 1.4301/ AISI 314

FINISH: Satin



## BDH-1.05.041.125

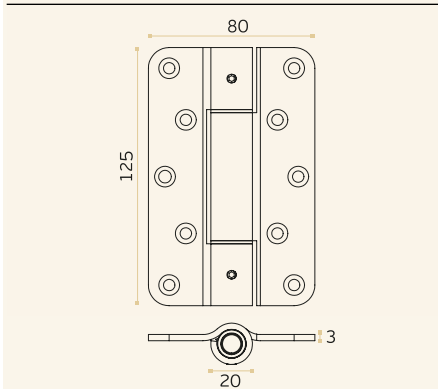
Heavy duty hinge with polymeric bushings.

EN 1935 475114112



MATERIAL: EN 1.4301/ AISI 314

FINISH: Satin



EN 1.4301 + Titanium Black.



EN 1.4301 + Titanium Gold.

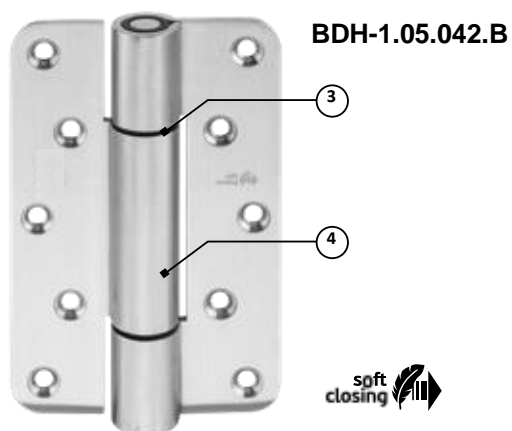
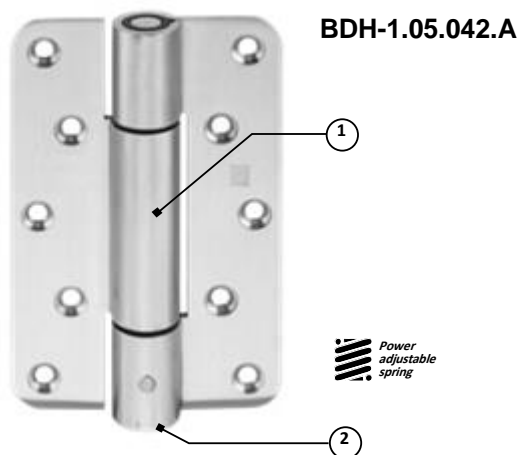


EN 1.4301 + Copper coated.

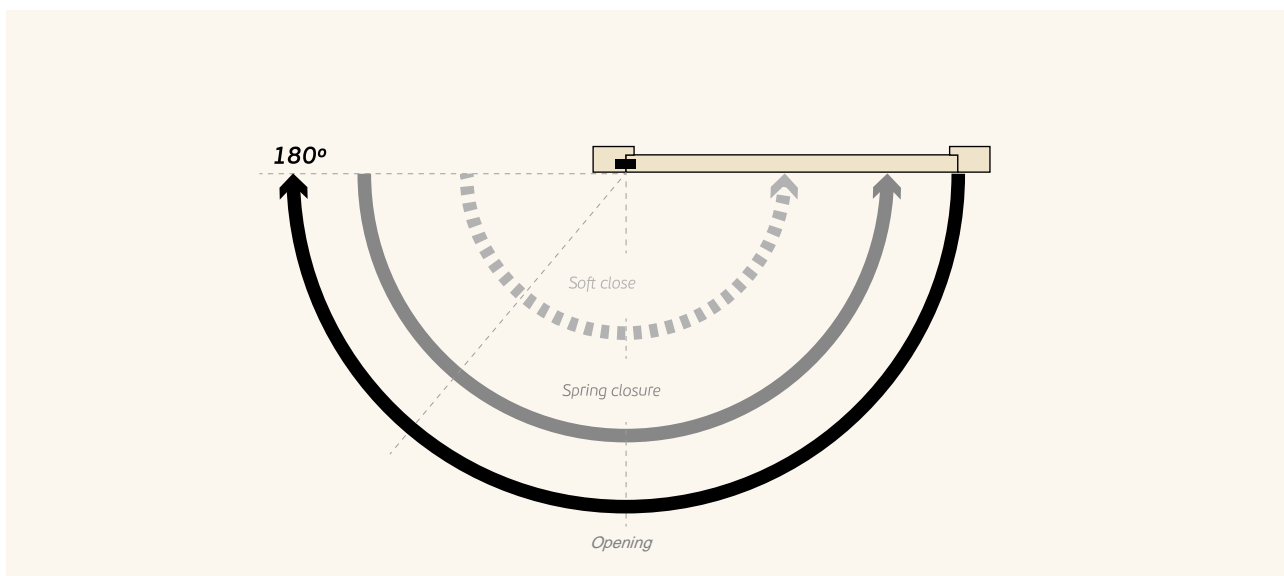
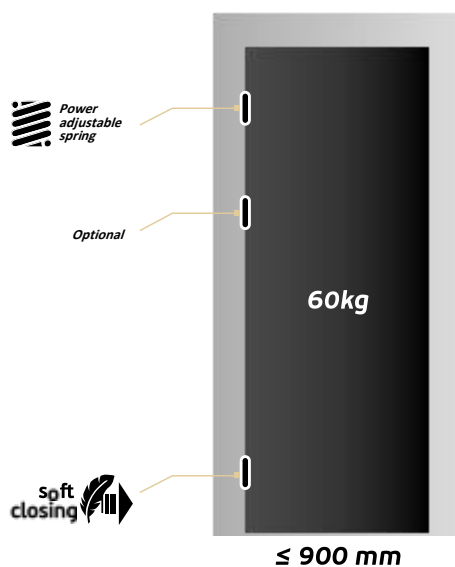


EN 1.4301 + Titanium Chocolate.

## HINGES WITH SPRING AND WITH SOFT CLOSE



1. Helicoidal spring system.
2. Spring power adjustment.
3. Two polymeric bushings.
4. Soft closing system.



# BUTT HINGES



## BDH-1.05.020.S.CF

Safety butt hinge with four ball bearing.

EN 1.4301 / AI 314

0359-CPR-0320 EN 1935: 2002 / AC: 2003

EN1935 47611141 13

## BDH-1.05.020.S.ECO

Also available in:

EN.1.4372 / AISI 201

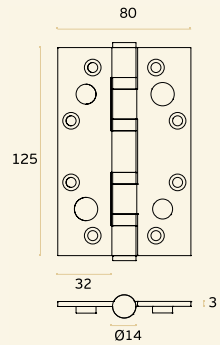
**ECO**  
series

EN1935 47601121 13 ECO

120  
Kg



Finish: Satin



**AISI 316**



EN.1.4401- Satin.

**BLACK**



EN 1.4301 + Titanium Gold.

**COPPER**



EN 1.4372 + Copper coated.

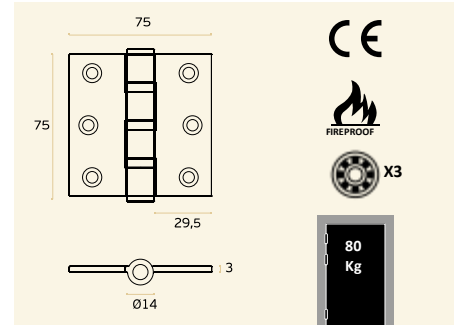


## BDH-1.05.021.75.CF Butt hinge.

Material: EN 1.4301 – Satin.  
0359-CPR-0320 EN 1935: 2002 / AC: 2003  
EN 1935 | 3 | 7 | 4 | 1 | 1 | 4 | 0 | 11

## BDH-1.05.021.75.ECO Also available in version: EN 1.4372

EN 1935 | 3 | 7 | 4 | 0 | 1 | 2 | 0 | 11



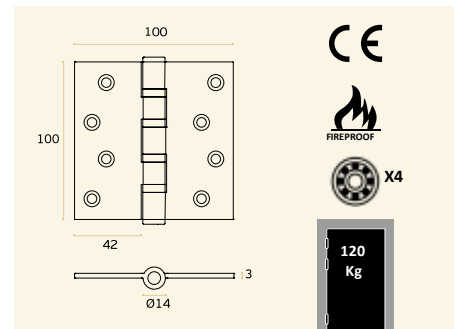
## BDH-1.05.021.100.CF Butt hinge.

Material: EN 1.4301 – Satin.  
0359-CPR-0320 EN 1935: 2002 / AC: 2003  
EN 1935 | 4 | 7 | 6 | 1 | 1 | 4 | 0 | 13

## BDH-1.05.021.100.ECO Also available in version: EN 1.4372

EN 1935 | 4 | 7 | 6 | 1 | 1 | 4 | 0 | 13

ECO  
series



## BDH-1.05.021.100.R.CF Butt hinge with rounded corners.

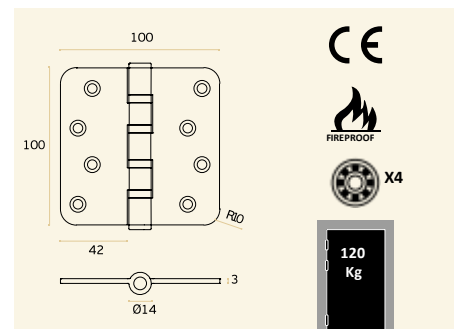
Material: EN 1.4301 – Satin.  
0359-CPR-0320 EN 1935: 2002 / AC: 2003  
EN 1935 | 4 | 7 | 6 | 1 | 1 | 4 | 0 | 13

## BDH-1.05.021.100.R.ECO Also available in version: EN 1.4372

0359-CPR-0320 EN 1935: 2002 / AC: 2003

EN 1935 | 4 | 7 | 6 | 0 | 1 | 2 | 0 | 13 ECO

ECO  
series



# DOOR HARDWARE: HINGES

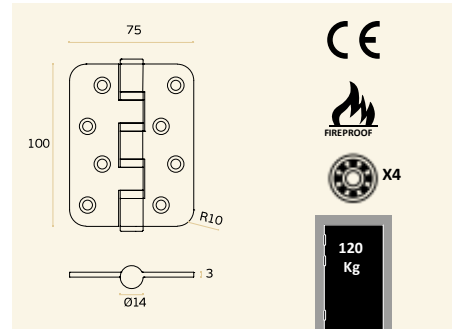
**BDH-1.05.020.100.R.CF**  
Butt hinge with rounded corners.  
Material: EN 1.4301 – Satin.

0359-CPR-0320 EN 1935: 2002 / AC: 2003  
EN 1935 | 4 7 6 1 1 4 0 13

**BDH-1.05.020.100.R.ECO**  
Also available in version:  
Material: EN 1.4372

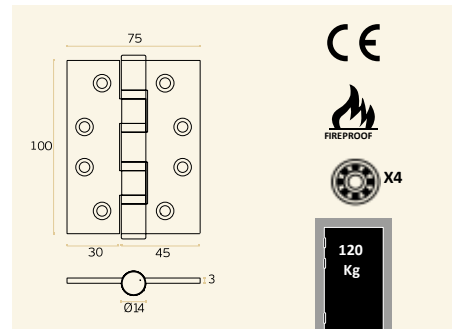
ECO  
series

EN 1935 | 4 7 6 1 1 4 0 13 ECO



**BDH-1.05.020.M**  
Butt hinge.

Material: EN 1.4301 – Satin.  
0359-CPR-0320 EN 1935: 2002 / AC: 2003  
EN 1935 | 4 7 6 1 1 4 0 13



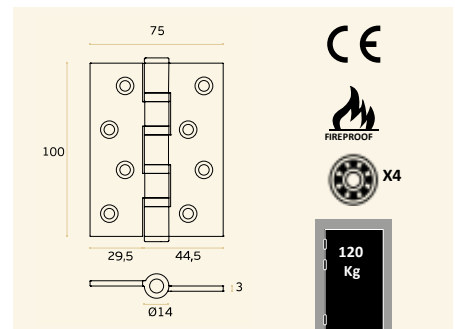
**BDH-1.05.020.CF**  
Butt hinge.

Material: EN 1.4301 – Satin.  
0359-CPR-0320 EN 1935: 2002 / AC: 2003  
EN 1935 | 4 7 6 1 1 4 0 13

**BDH-1.05.100.ECO**  
Also available in version:  
EN 1.4372

ECO  
series

EN 1935 | 4 7 6 1 1 4 0 13 ECO



GOLD



EN 1.4301 + Gold coated.

BLACK



EN 1.4301 + Black coated.

COPPER



EN 1.4301 + Copper coated.

AISI 316

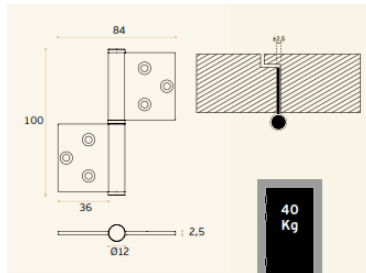


EN 1.4401 – Satin.

# DOOR HARDWARE: HINGES

## SPECIAL HINGES

**BDH-3.05.010**  
Flag type hinge.

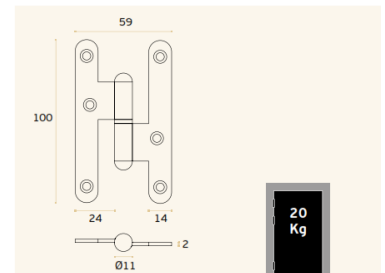


EN 1.4301 / Satin.

EN 1935 27101307

**BDH-3.05.017.ECO**  
Hinge with H-shape round leaves.  
Left or right hand.

**ECO**  
series

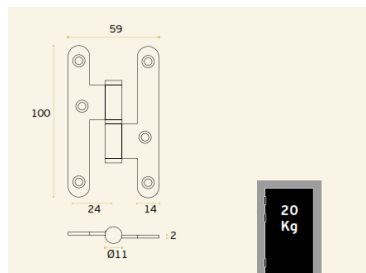


EN 1.4372 / Satin.

EN 1935 27101204

**BDH-3.05.018.ECO**  
Hinge with H-shape round leaves Left  
or right hand.

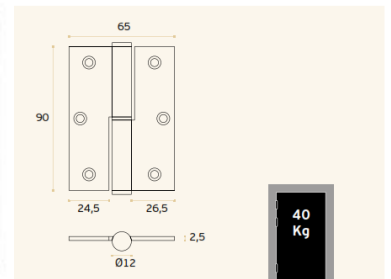
**ECO**  
series



EN 1.4372 / Satin.

EN 1935 27101204

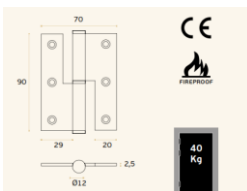
**BDH-3.05.019.90**  
Full leaf lift off hinge left or right.



EN 1.4301 / Satin.

EN 1935 27201307

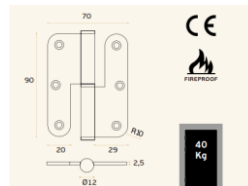
**BDH-3.05.019.90.B.CF**  
Lift off hinge left or right hand.



EN 1.4301 / Satin.

EN 1935 27211407

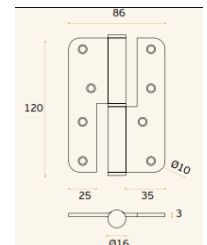
**BDH-3.05.019.90.BR.CF**  
Lift off hinge with round corners left  
or right hand.



EN 1.4301 / Satin.

EN 1935 27211407

**BDH-3.05.019.120.R.CF**  
Lift off hinge with round corners left  
or right hand.



EN 1.4301 / Satin.

EN 1935 27211407



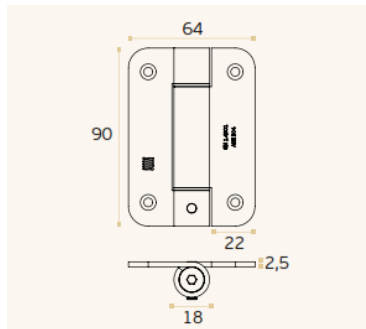
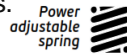


# DOOR HARDWARE: HINGES

## SPRING HINGES

### BDH-4.SM.006.A1

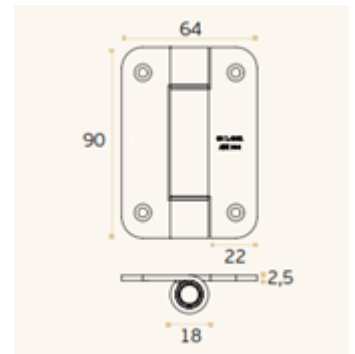
Flat hinge with spring and with polymeric bushings.



EN 1.4301 / Copper coated / Satin.

### BDH-4.SM.006.B

Flat hinge.



EN 1.4301 / Satin.

## HINGES WITH SPRING AND WITH SOFT CLOSE.

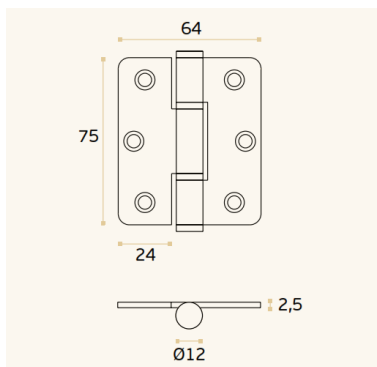
1. Helicoidal spring system.
2. Spring power adjustment.
3. Two polymeric bushings.
4. Soft closing system.



### BDH-4.SM.005.D.ECO

Flat hinge.

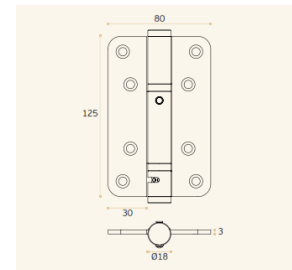
**ECO**  
series



### BDH-4.05.040

Spring hinge with 2 ball bearings, soft closing and 90° hold open function.

**ECO**  
series



EN 1.4372 / Satin.



Ball bearings



Power adjustable spring



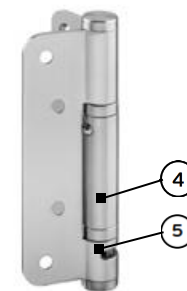
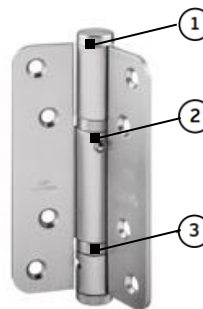
soft closing



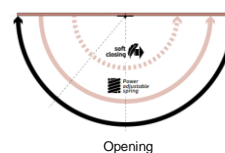
90°  
HOLD OPEN

## SPRING HINGE.

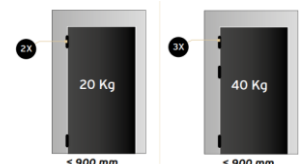
1. Soft closing system.
2. Hold open at 90°.
3. Two ball bearings.
4. Helicoidal spring system.
5. Spring power adjustment.



- For single action doors.
- With soft closing system.
- With ball bearings.
- Hold open at 90°.
- Low maintenance.
- With helicoidal spring.
- Stainless steel.
- Adjustable power.
- Medium use.



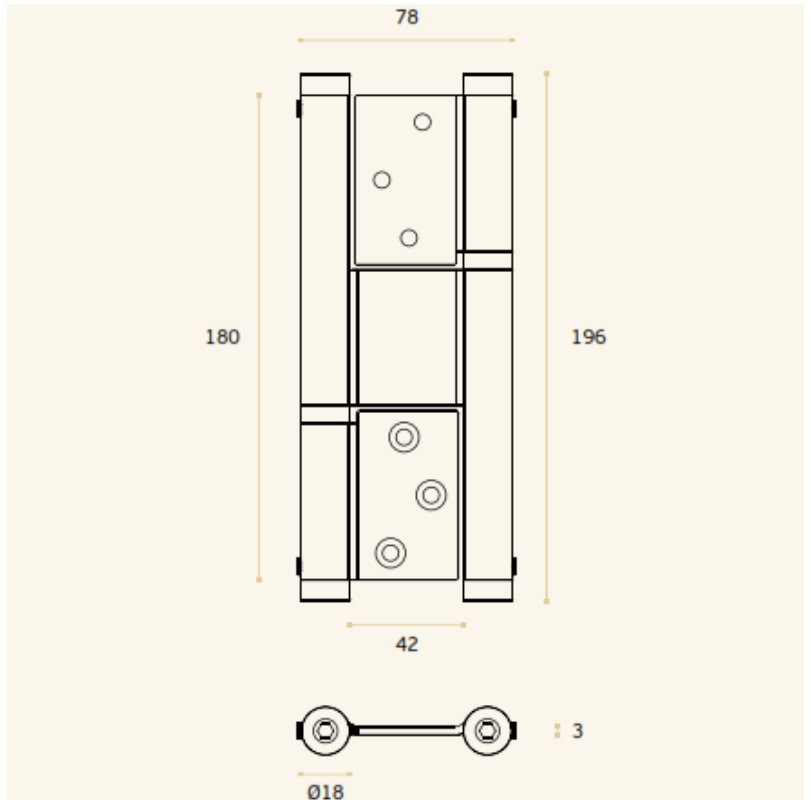
Opening



## SPRING HINGES

**BDH-4.05.660**

Double action spring hinge with 2 ball bearings.



MATERIAL: EN 1.4301 / AISI 304  
FINISH: SATIN

Ball bearings



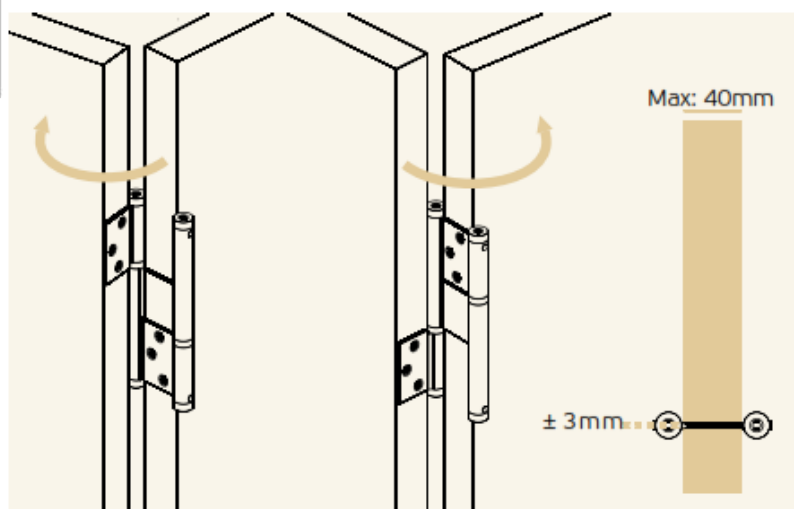
New torsion  
spring system



50 Kg

### FOR SINGLE OR DOUBLE ACTION DOORS.

- With ball bearings.
- Low maintenance.
- With torsion spring.
- Material: stainless steel **EN 1.4301**.
- Adjustable power.
- Medium use.



Thank you for your attention