

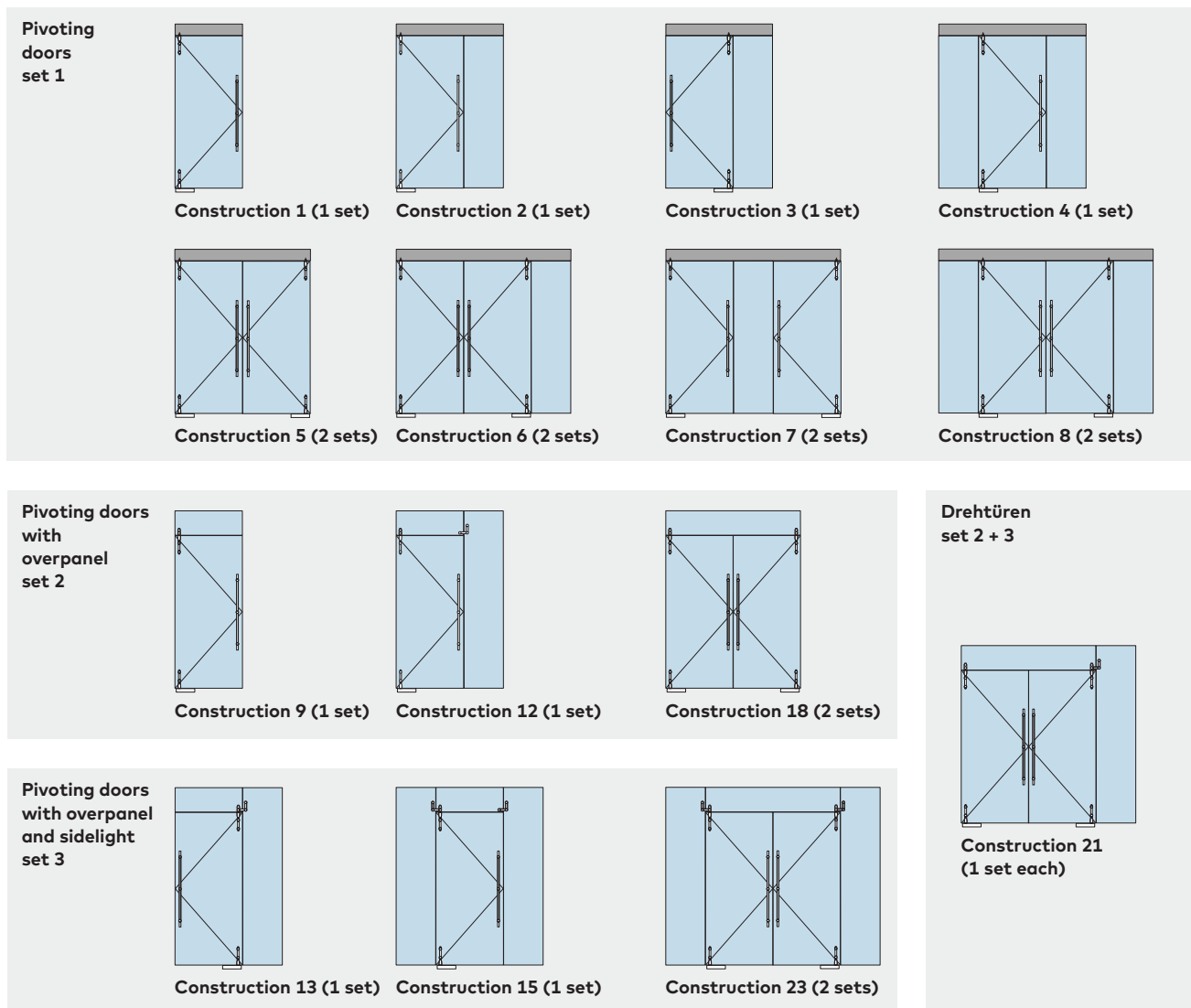


**MANET**  
**Compact**

# MANET Compact sets

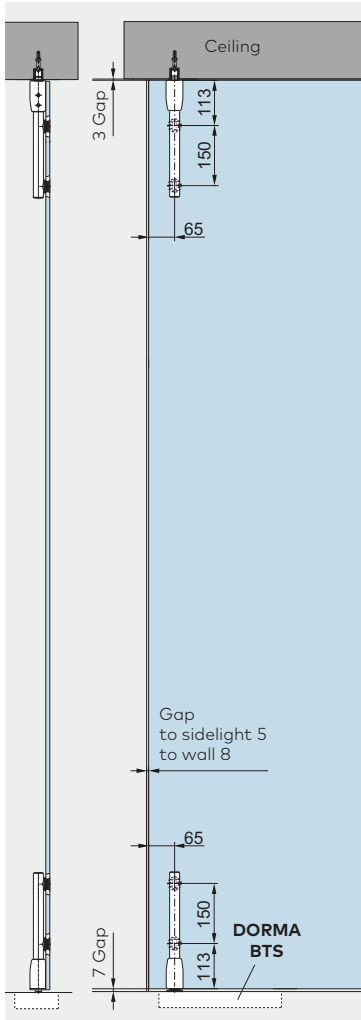
The aesthetic elegance of the MANET Compact concept is also available in the form of standardized sets for simple, fast planning of the more popular system types.

Optional accessories enable the individual sets to be semi-customized. The system components offer numerous adjustment possibilities in order to ensure problem-free installation of whichever door type – sliding or swing, single-action or double-action – is required. Wall abutment profiles may need to be provided (by others) for fixing overpanels and sidelights.



# Set 1

## Pivoting door MANET Compact without overpanel for 10 – 12 mm glass



Door weight 80 kg  
 Door height max. 2500 mm  
 Door width max. 1200 mm  
 TSG 10/12 mm glass thickness

Product description	Art. No.
<b>Set 1</b> with pivot rod pair short type	
<b>Set 1 with single-point fixings countersunk</b> consisting of: pivot rod pair top/bottom, short type	<b>29.910</b>
including: 4 single-point fixings for pivot rods 1 pivot fitting top, 1 PT 25 pin, 15 mm Ø, with plug 1 pivot fitting bottom for DORMA BTS/floor pivot	
<b>Option:</b> <b>Set 1,</b> but for additional intermediate tube in fixed length for pivot rod pair	<b>29.911</b>
Intermediate tube in fixed length	<b>29.555</b>
<b>Please indicate:</b>	
Panel height _____ mm	
– 577 mm	
= length intermediate tube	
_____ mm	

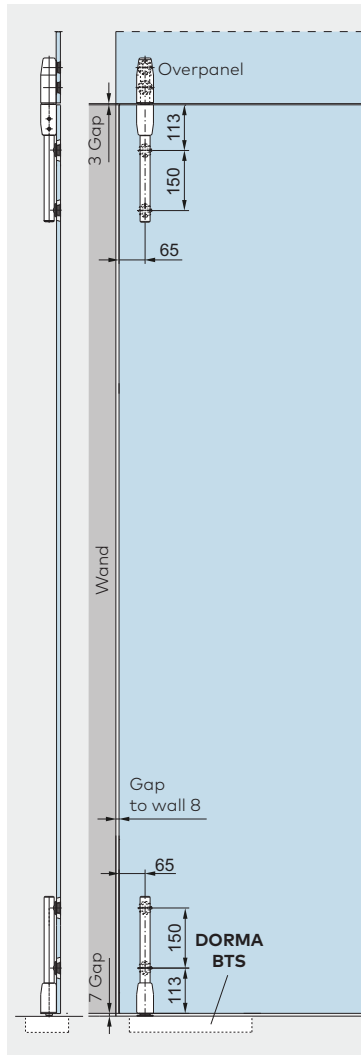
### Accessory options for Set 1

Pull handles	Length	Art. No.
Pull handles	350	<b>29.268</b>
(single-point fixing countersunk)	720	<b>29.271</b>
	1240	<b>29.274</b>
	1760	<b>29.277</b>
Pair of pull handles	350	<b>21.267</b>
	720	<b>21.270</b>
	1240	<b>21.273</b>
	1760	<b>21.276</b>
<b>Lock</b>		
Corner lock		<b>21.448</b>
Corner lock with rose on one lock side		<b>21.449</b>
Profile cylinder for corner lock 21.448/449		<b>14.206</b>
Eccentric bushing for corner lock 21.448/449		<b>05.194</b>
<b>Further accessories</b>		
Stop for pivoting door with ceiling mounting		<b>21.334</b>
Ceiling fixing (bearing function)		<b>29.337</b>
Floor pivot bearing		<b>01.106</b>
Assembling tool for MANET single-point fixings		<b>21.134</b>

For the requisite glass preparation please see pages 108 – 109

# Set 2

## Pivoting door MANET Compact with overpanel for 10 – 12 mm glass



Door weight 80 kg  
 Door height max. 2500 mm  
 Door width max. 1200 mm  
 TSG 10/12 mm glass thickness

Product description	Art. No.
<b>Set 2</b> with pivot rod pair short type	
<b>Set 2 with single-point fixings countersunk</b> consisting of: pivot rod pair top/bottom, short type	<b>29.912</b>
including: 4 single-point fixings for pivot rods, 1 pivot fitting top, 1 pivot bearing location for overpanel, 1 pivot fitting bottom for DORMA BTS/floor pivot	
<b>Option:</b> <b>Set 2,</b> but with additional intermediate tube in fixed length for pivot rod pair Intermediate tube in fixed length	<b>29.913</b> <b>29.555</b>
<b>Please indicate:</b>  Panel height _____ mm – 577 mm = length intermediate tube  _____ mm	

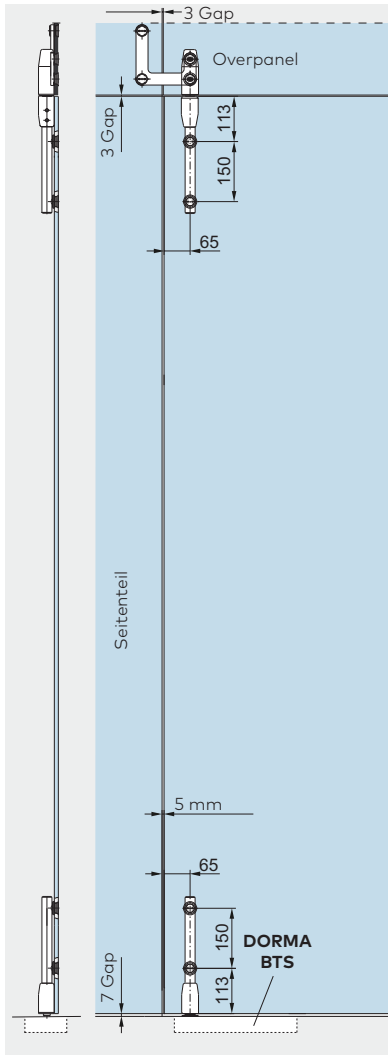
### Accessory options for Set 2

	Length	Art. No.
<b>Pull handles</b>		
Pull handles	350	<b>29.268</b>
(single-point fixing countersunk)	720	<b>29.271</b>
	1240	<b>29.274</b>
	1760	<b>29.277</b>
Pair of pull handles	350	<b>21.267</b>
	720	<b>21.270</b>
	1240	<b>21.273</b>
	1760	<b>21.276</b>
Ceiling fixing (bearing function)		<b>29.337</b>
Stop at overpanel, (inside/outside) for 10 and 12 mm glass		<b>29.335</b>
<b>Lock</b>		
Corner lock		<b>21.448</b>
Corner lock with rose on one lock side		<b>21.449</b>
Profile cylinder for corner lock 21.448/449		<b>14.206</b>
Eccentric bushing for corner lock 21.448/449		<b>05.194</b>
<b>Further accessories</b>		
Overpanel-sidelight connector for 10 and 12 mm glass		<b>29.320</b>
Overpanel-sidelight connector with stop inside for 10 and 12 mm glass		<b>29.322</b>
Overpanel-sidelight connector with stop outside for 10 and 12 mm glass		<b>29.325</b>
Floor pivot bearing		<b>01.106</b>
Assembling tool for MANET single-point fixings		<b>21.134</b>

For the requisite glass preparation please see pages 108 – 109

# Set 3

## Pivoting door MANET Compact with overpanel for 10 – 12 mm glass



Door weight 80 kg  
 Door height max. 2500 mm  
 Door width max. 1200 mm  
 TSG 10/12 mm glass thickness

	Product description	Art. No.
	<b>Set 3</b> with pivot rod pair short type	
	<b>Set 3 with single-point fixings countersunk</b> consisting of: pivot rod pair top/bottom, short type	<b>29.914</b>
	einschließlich: 4 single-point fixings for pivot rods, 1 pivot fitting top, 1 overpanel-sidelight connector with pivot bearing location, 1 pivot fitting bottom for DORMA BTS/floor pivot	
	<b>Option:</b> <b>Set 3,</b> but with additional intermediate tube in fixed length for pivot rod pair Intermediate tube in fixed length	<b>29.915</b> <b>29.555</b>
	<b>Please indicate:</b>  Panel height _____ mm – 577 mm = length intermediate tube  _____ mm	
<b>Accessory options for Set 3</b>		
	<b>Pull handles</b>	<b>Length</b> <b>Art. No.</b>
Pull handles	350	<b>29.268</b>
(single-point fixing countersunk)	720	<b>29.271</b>
	1240	<b>29.274</b>
	1760	<b>29.277</b>
Pair of pull handles	350	<b>21.267</b>
	720	<b>21.270</b>
	1240	<b>21.273</b>
	1760	<b>21.276</b>
Ceiling fixing (bearing function)		<b>29.337</b>
Stop at overpanel, (inside/outside) for 10 and 12 mm glass		<b>29.335</b>
<b>Lock</b>		
Corner lock		<b>21.448</b>
Corner lock with rose on one lock side		<b>21.449</b>
Profile cylinder for corner lock 21.448/449		<b>14.206</b>
Eccentric bushing for corner lock 21.448/449		<b>05.194</b>
<b>Further accessories</b>		
Overpanel-sidelight connector for 10 and 12 mm glass		<b>29.320</b>
Overpanel-sidelight connector with stop inside for 10 and 12 mm glass		<b>29.322</b>
Overpanel-sidelight connector with stop outside for 10 and 12 mm glass		<b>29.325</b>
Floor pivot bearing		<b>01.106</b>
Assembling tool for MANET single-point fixings		<b>21.134</b>

For the requisite glass preparation please see pages 108 – 109

# Content

98	<b>General information</b>
99	<b>Components</b>
108	<b>Glass preparation</b>
158	<b>Accessories</b>
175	<b>Safety-related information</b>

All elements up to and including the pull handles are available in an elegant stainless steel finish. All the components are manufactured from the steel grade 1.4305 (approx. AISI 303) for normal interior applications.

For damp room or external applications (but not for saunas or swimming pools), especially selected fittings manufactured in the stainless steel grade 1.4404 (approx. AISI 316) are also available.

The material selection necessary for your application can be determined with the aid of German general building regulations approval Z-30.3-6, Tables 1 and 1a or other national equivalents.

**Note:** The products detailed in this brochure are exclusively intended for glass assemblies that do not require separate building regulations approval.



Winner of the red dot design award 2002.

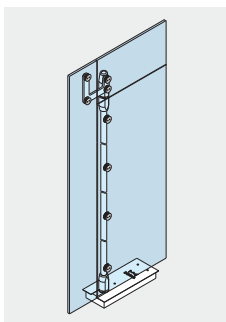


# MANET Concept

# Pivoting door system

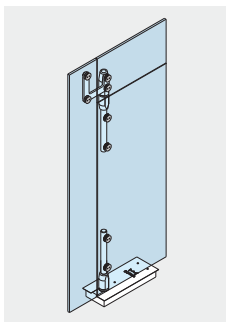
MANET pivoting doors can be installed in both glass partitions and masonry openings. They come as both single and double-action swing doors with a maximum weight of 100 kg and a maximum leaf width of 1200 mm. All the single-point fixings are designed for clip-on covers for easier installation. Other components include the bottom pivot bearing, top pivot fittings with bearing spigot or eccentric bushing and also overpanel/sidelight connectors.

As a result, there are almost unlimited possibilities for inte-grating frameless swing doors both in masonry openings – with or without overpanels and sidelights – and in glass partition constructions retained by single-point fixings. Whether with a full-length pivot rod or a pair of shorter pivot rods, the top bearing socket is located in the fitting on the door leaf. This means that connection to the ceiling, lintel or transom can now be provided in the form of the standard PT25 top pivot spigot from the dormakaba range. The door assemblies can be equipped with floor springs such as the DORMA BTS 75V or BTS 84, and corner locks are naturally also available.

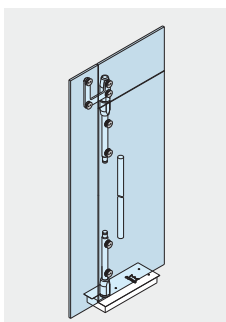


Pivot bearing with full-length pivot rod,  
max. door panel height 3000 mm  
max. door panel width 1200 mm  
max. door panel weight 100 kg

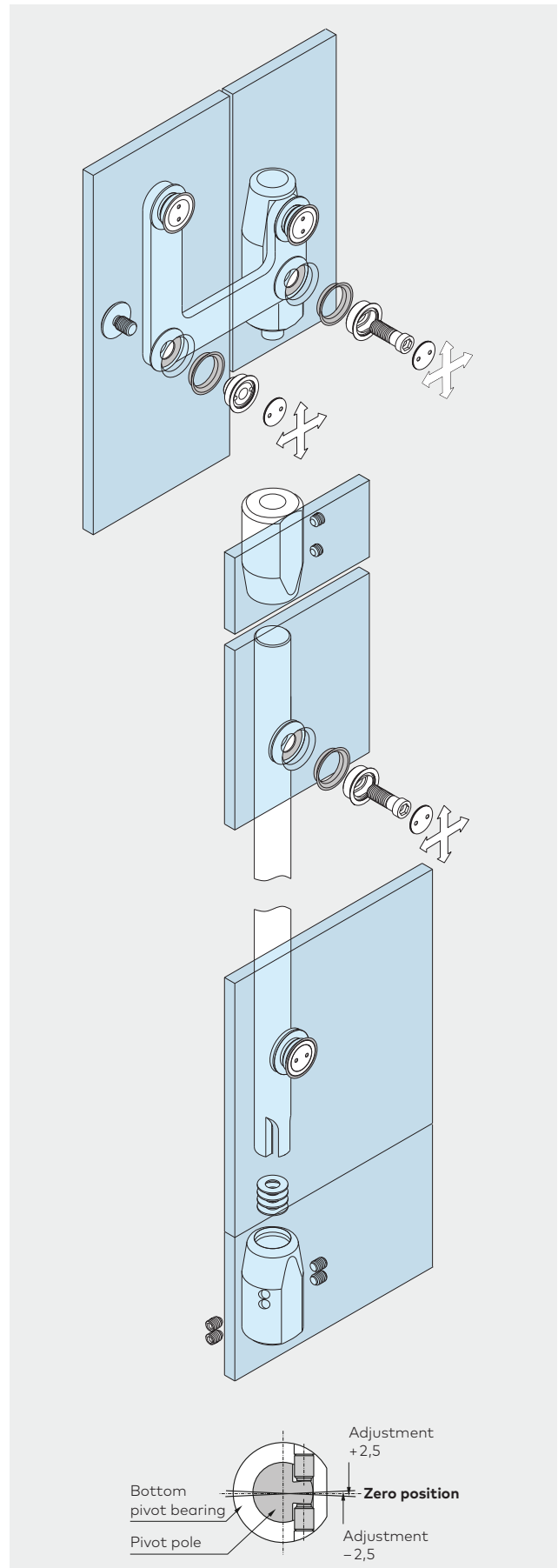
From a door panel height of 2700 mm a fifth single-point fixing is recommended.



Pivot bearing with pivot rod pair short type,  
max. door panel height 2500 mm  
max. door panel width 1200 mm  
max. door panel weight 80 kg

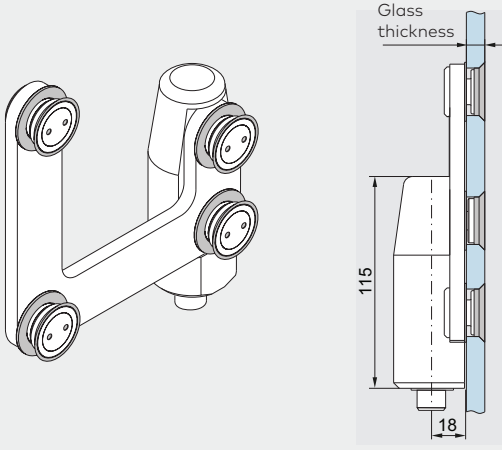
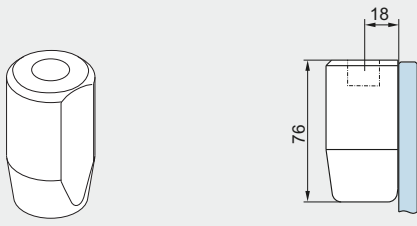
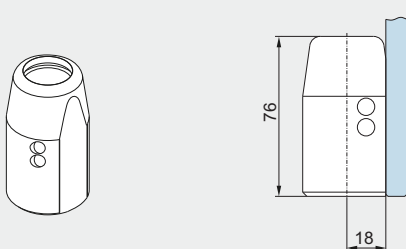


Pivot bearing with pivot rod pair short type with intermediate tube,  
max. door panel height 2500 mm  
max. door panel width 1200 mm  
max. door panel weight 80 kg

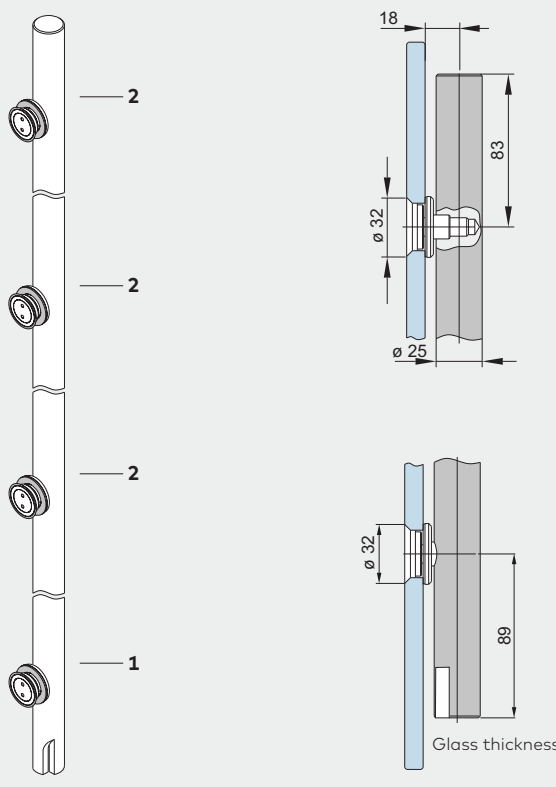
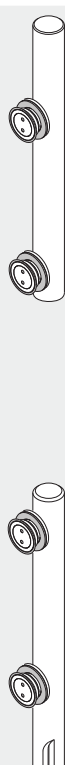


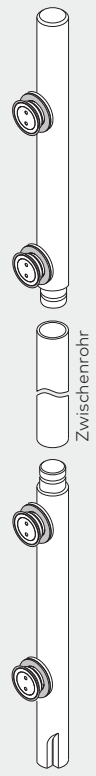

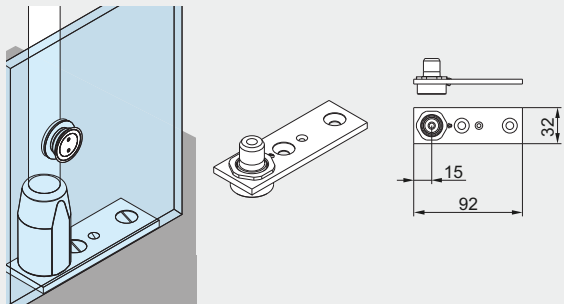


# Components for pivoting door system

	Product description	Glass thickness	Art. No.
	<p><b>Overpanel / sidelight connector</b> complete fitting countersunk</p> <p>AISI 316L</p> <p>clamping disc</p>	<p>10, 12 mm</p>	<p><b>29.330</b></p> <p><b>29.362</b></p> <p><b>29.356</b></p>
	<p><b>Pivot bearing for overpanel and ceiling connection</b></p> <p>AISI 316L</p>		<p><b>21.310</b></p> <p><b>21.350</b></p>
	<p><b>Pivot bearing</b> for DORMA BTS (max. 4 EN) / floor pivot</p> <p>AISI 316L</p>		<p><b>29.545</b></p> <p><b>29.550</b></p>

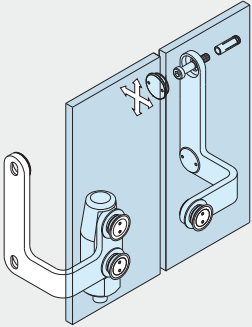
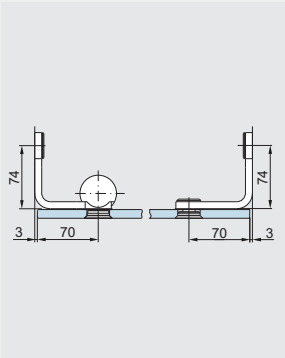
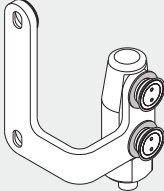
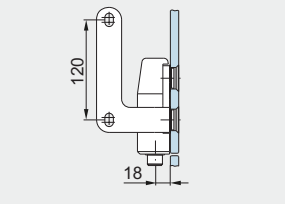
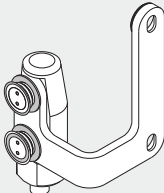
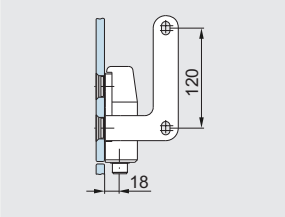
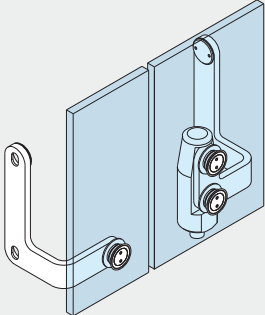
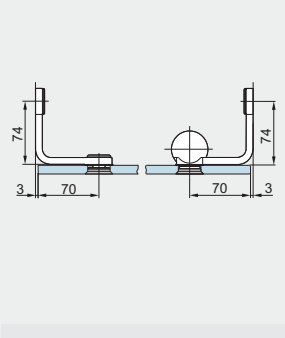
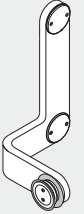
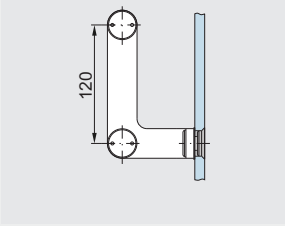

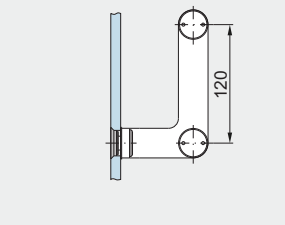
# Components for pivoting door system

	Product description	Glass thickness	Art. No.
	<b>Pivot rod,</b> drilled, fixed length		<b>29.551</b>
	<b>Single-point fixing, countersunk, fixed (1)</b>	10, 12 mm	<b>29.460</b>
	AISI 316L		<b>29.461</b>
		13,5–15,5 mm	<b>29.450</b>
	<b>clamping disc, fixed (1)</b>	10, 12 mm	<b>29.465</b>
	AISI 316L		<b>29.466</b>
	<b>Single-point fixing, countersunk, centering (2)</b>	10, 12 mm	<b>29.462</b>
	AISI 316L		<b>29.463</b>
		13,5–15,5 mm	<b>29.455</b>
	<b>clamping disc, centering (2)</b>	10, 12 mm	<b>29.467</b>
	From a door panel height of 2700 mm a fifth single-point fixing is recommended.		
	<b>Pivot rod set, short type top/bottom,</b> incl. 4 single-point fixings		
	<b>countersunk</b>		<b>29.546</b>
	AISI 316L		<b>29.547</b>
	<b>clamping disc</b>		<b>29.560</b>
	AISI 316L		<b>29.561</b>

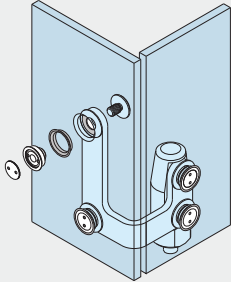
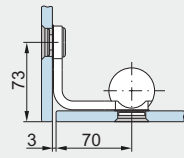
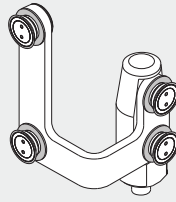
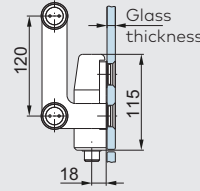
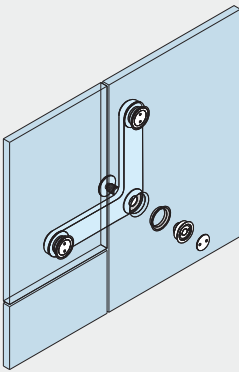
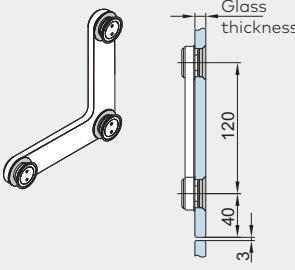
	Product description	Art. No.
	<p><b>Pivot rod set, short type top / bottom,</b> for intermediate tube, inclusive 4 single-point fixings</p> <p><b>countersunk</b></p> <p>AISI 316L</p> <p><b>clamping disc</b></p> <p>AISI 316L</p> <p><b>Intermediate tube</b> fixed length up to 2000 mm</p> <p>AISI 316L</p>	<p><b>29.548</b></p> <p><b>29.549</b></p> <p><b>29.562</b></p> <p><b>29.563</b></p> <p><b>29.555</b></p> <p><b>29.557</b></p>
	<p><b>Pivot bearing for humid rooms</b></p> <p>AISI 316L</p>	<p><b>29.540</b></p>
	<p><b>Floor pivot</b></p>	<p><b>01.106</b></p>

# Components for pivoting door system

## Wall fixing

		Product description	Glass thickness	Art. No.
		<b>Overpanel / sidelight connector for wall fixing</b> 90° offset, with pivot bearing location, complete fitting		
		<b>right hand</b>	10, 12 mm	<b>29.328</b>
		<b>left hand</b>	10, 12 mm	<b>29.329</b>
				<b>left hand</b>
		<b>Overpanel / sidelight connector for wall fixing</b> 90° offset, complete fitting		
		<b>right hand</b>	10, 12 mm	<b>29.326</b>
		<b>left hand</b>	10, 12 mm	<b>29.327</b>
				<b>left hand</b>

Glass fixing

		Product description	Glass thickness	Art. No.
		<b>Overpanel / sidelight connector for glass fixing</b> 90° offset, with pivot bearing location, complete fitting		
		<b>right hand</b>	10, 12 mm	<b>29.331</b>
		<b>Overpanel / sidelight connector for glass fixing</b> 90° offset, with pivot bearing location, complete fitting		
		<b>left hand</b>	10, 12 mm	<b>29.332</b>
		<b>Overpanel / sidelight connection</b> countersunk clamping disc	10, 12 mm	<b>29.320</b>  <b>29.357</b>

# Components for pivoting door system

	Product description	Glass thickness	Art. No.
	<p><b>Pivot bearing fitting for overpanel with cylindrical bore for rod countersunk</b></p>	8-12 mm	<b>29.354</b>
	<p><b>Pivot bearing location for overpanel countersunk</b></p> <p>AISI 316L</p>	8-12 mm	<b>29.333</b> <b>29.353</b>
	<p><b>Pivot bearing for RTS</b></p> <p><b>Pivot pole, drilled, fixed length, for RTS pivot bearing 29.314</b></p>		<b>29.314</b> <b>29.553</b>
	<p><b>PT 25 pin</b> for ceiling connection,</p>		<b>01.115</b>
	<p><b>Pivot bearing for installation to ceiling adjustable</b></p> <p>AISI 316L</p>	8-12 mm	<b>21.319</b> <b>21.318</b>

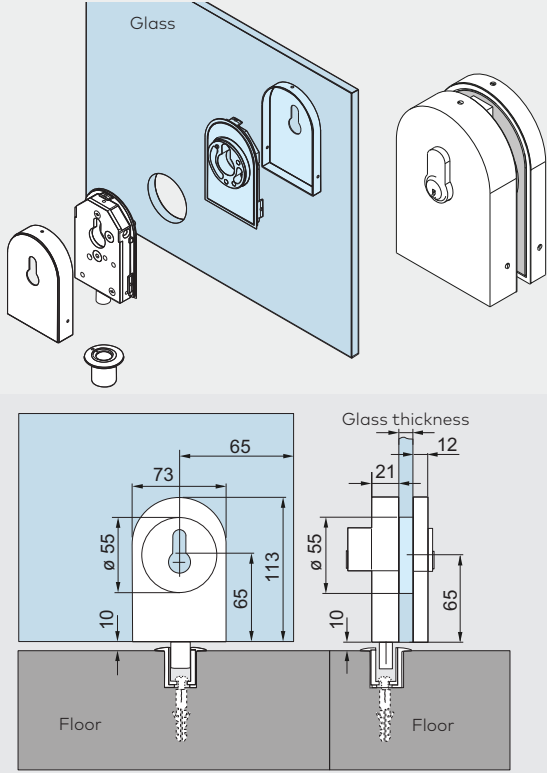
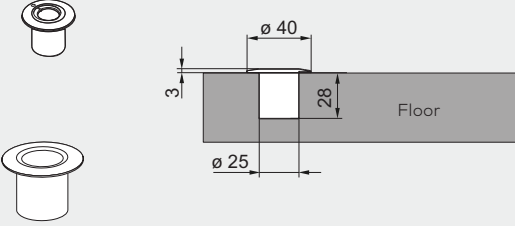
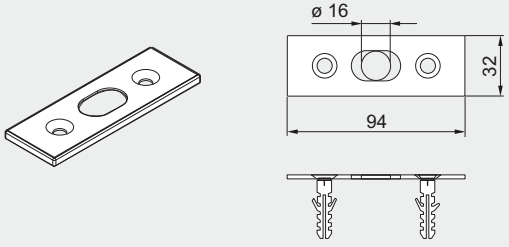
# Accessories

	Product description	Glass thickness	Art. No.
	<p><b>Stop for pivoting door</b> with ceiling mounting</p>		<p><b>21.334</b></p>
	<p><b>Stop at overpanel</b> (inside/outside)</p>	<p>10, 12 mm</p>	<p><b>29.335</b></p>
	<p><b>Overpanel / sidelight connection</b> with stop inside countersunk</p>	<p>10, 12 mm</p>	<p><b>29.322</b></p>
	<p><b>Overpanel / sidelight connection</b> with stop outside countersunk</p>	<p>10, 12 mm</p>	<p><b>29.325</b></p>

# Accessories

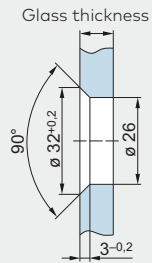
	Product description	Art. No.
	<p><b>Stop for pivoting door</b> floor mounting</p>	<p><b>29.950</b></p>
	<p><b>Stop for pivoting door</b> wall mounting, short</p>	<p><b>29.951</b></p>
	<p><b>Stop for pivoting door</b> wall mounting, long</p>	<p><b>29.952</b></p>



	Product description	Glass thickness	Art. No.
	<p><b>Corner lock</b></p> <p><b>Corner lock</b> with profile cylinder rose on inside</p> <p><b>Dead lock for KABA with rose</b> on inside</p> <p><b>Profile cylinder</b> for corner lock</p>	<p>8–12 mm</p> <p>8–12 mm</p> <p>8–12 mm</p> <p></p>	<p><b>21.448</b></p> <p><b>21.449</b></p> <p><b>21.450</b></p> <p><b>14.206</b></p>
	<p><b>Eccentric bushing</b> for corner lock</p> <p><b>Bushing,</b> plastics</p>		<p><b>05.194</b></p> <p><b>00.110</b></p>
	<p><b>Strike plate</b></p>		<p><b>05.190</b></p>

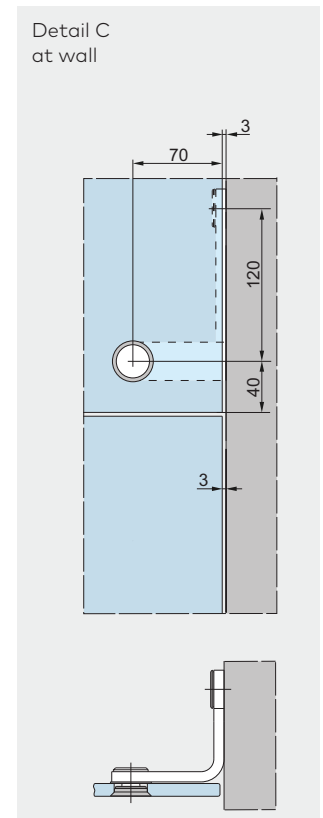
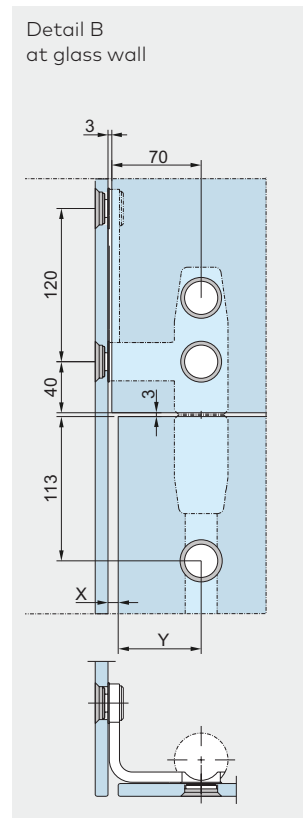
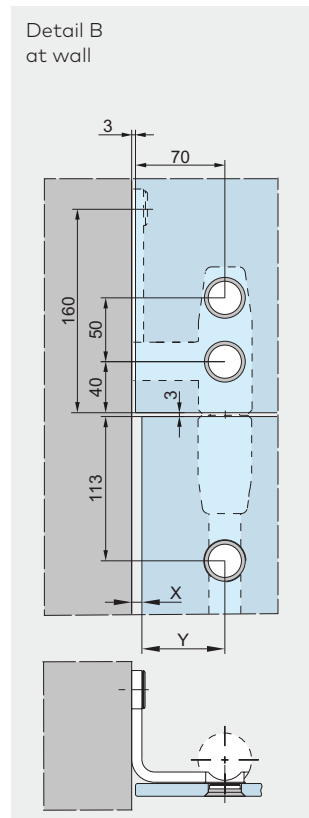
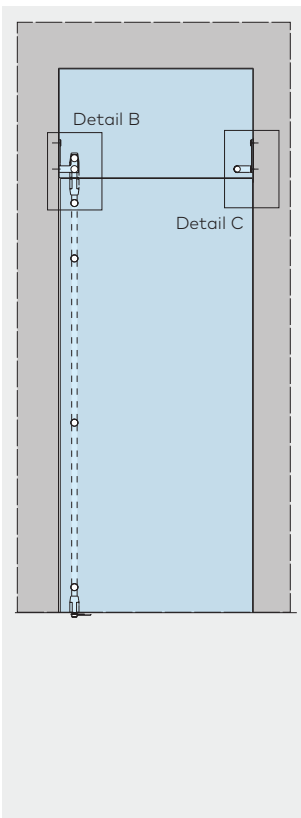
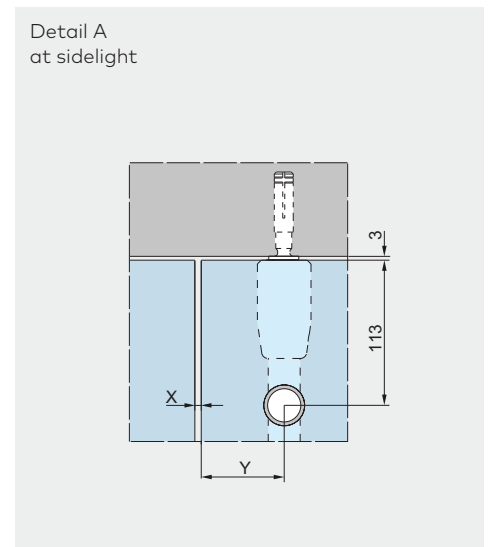
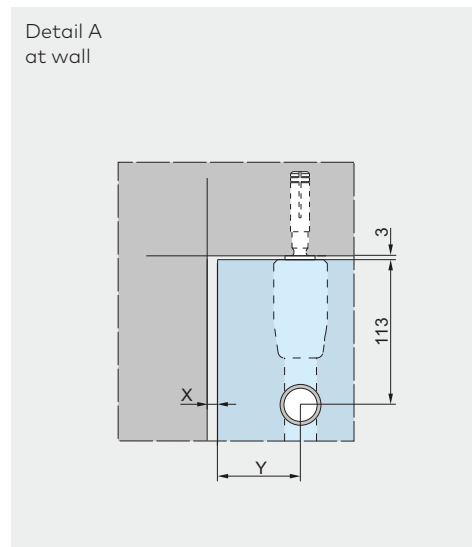
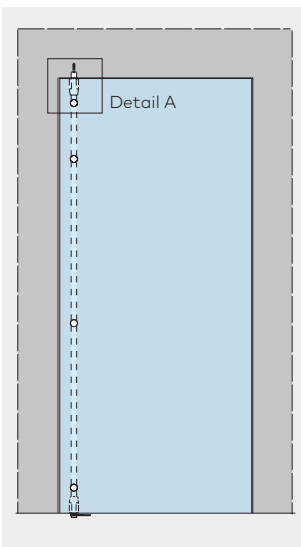
# Glass preparation for pivoting door system

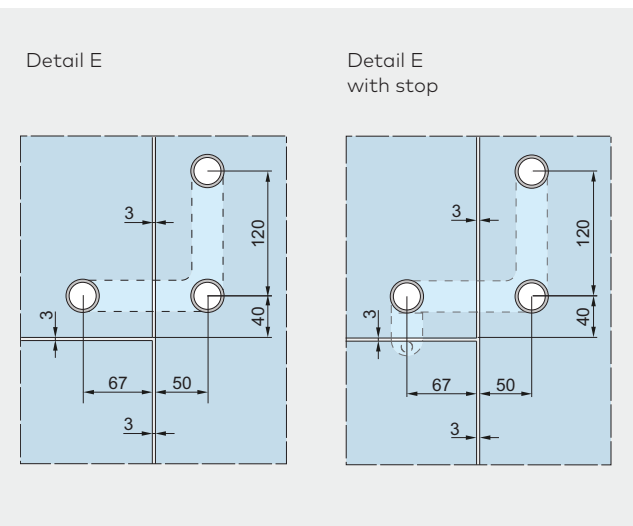
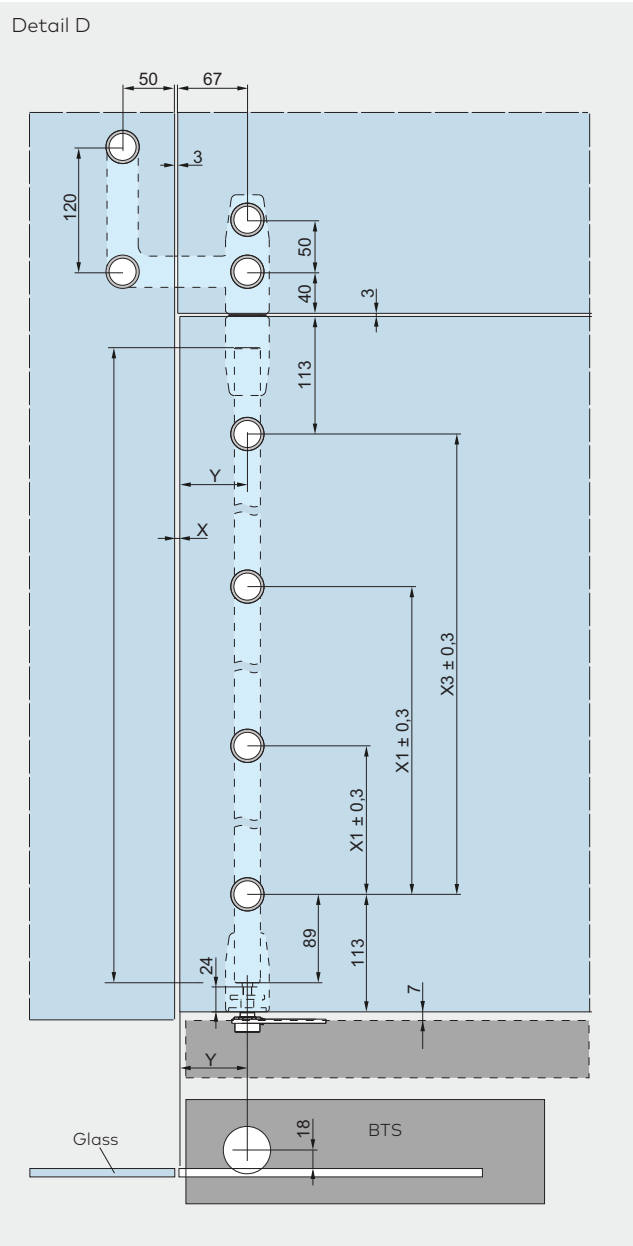
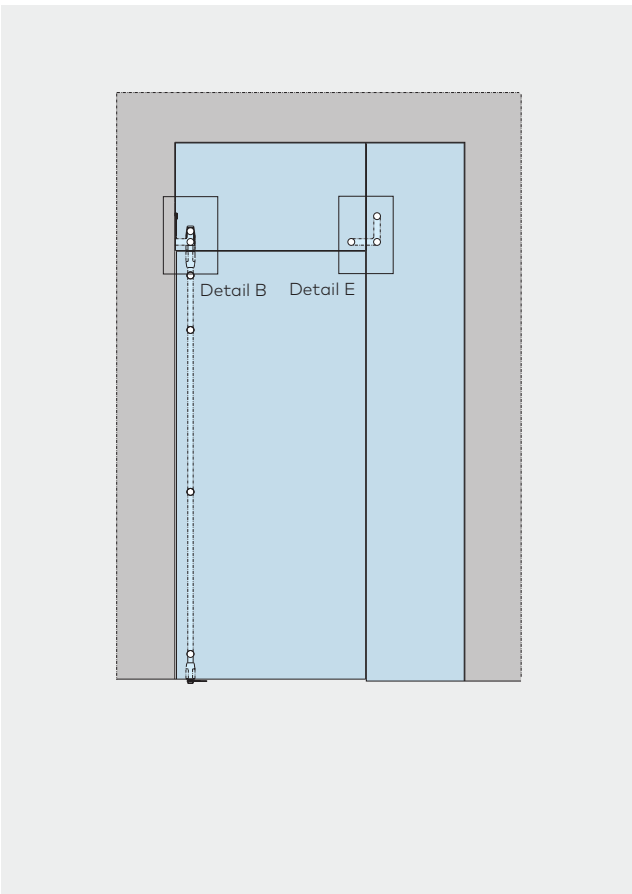
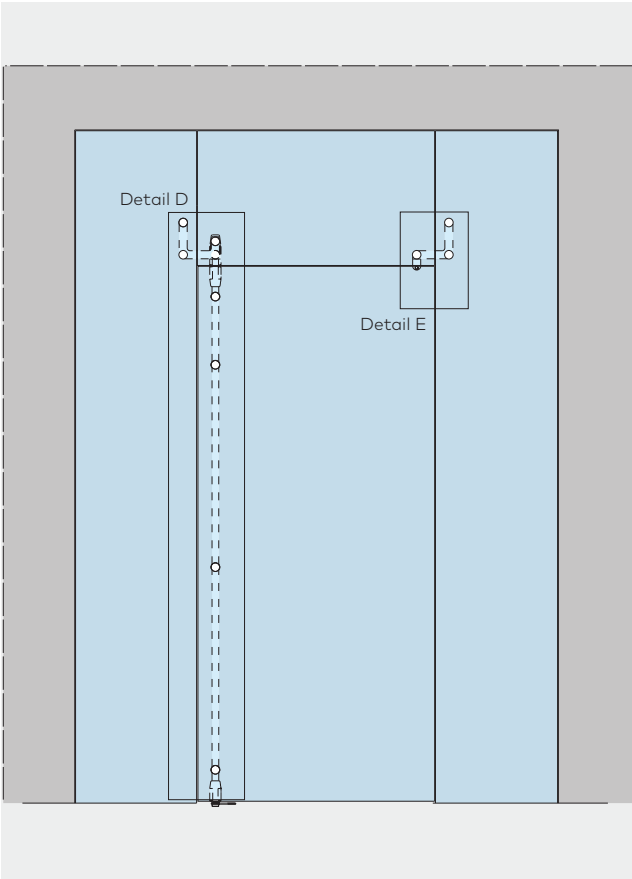
## Countersunk holes



The gap and distance dimensions recommended by dormakaba are indicated in the adjacent table.

Glass thickness mm	Connection	X Gap	Y
10/12	Sidelight	5	65
	Wall	8	
13,5 - 15,5	Sidelight	8	62
	Wall	11	





# Content

112	<b>General information</b>
113	<b>Components</b>
158	<b>Accessories</b>
157	<b>Safety-related information</b>



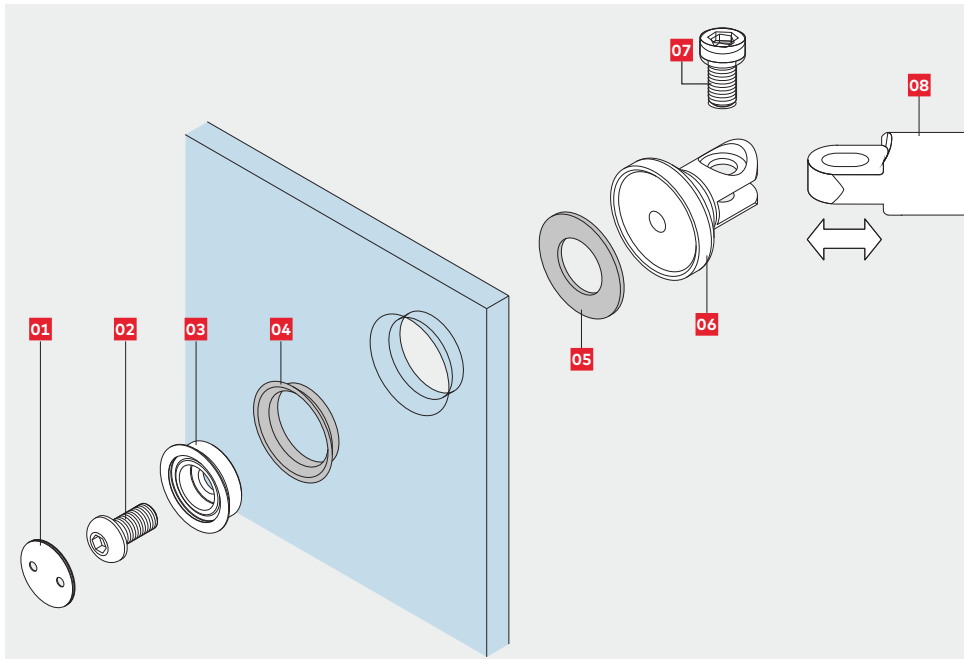
**MANET Concept  
connection system**

# Connection system

The system approach is very much in evidence in the case of the interconnecting components. Elements such as clamping and angle connectors of various designs and also interconnecting fasteners of various lengths can be combined in order to attach glass of

different thicknesses at any required angle to the floor, to ceilings, to walls and to plinth supports. Single-point fixings flush with the glass are also used for this interconnection and glass-to-glass system. Tolerances are compensated by slotted holes in the interconnecting fasteners.

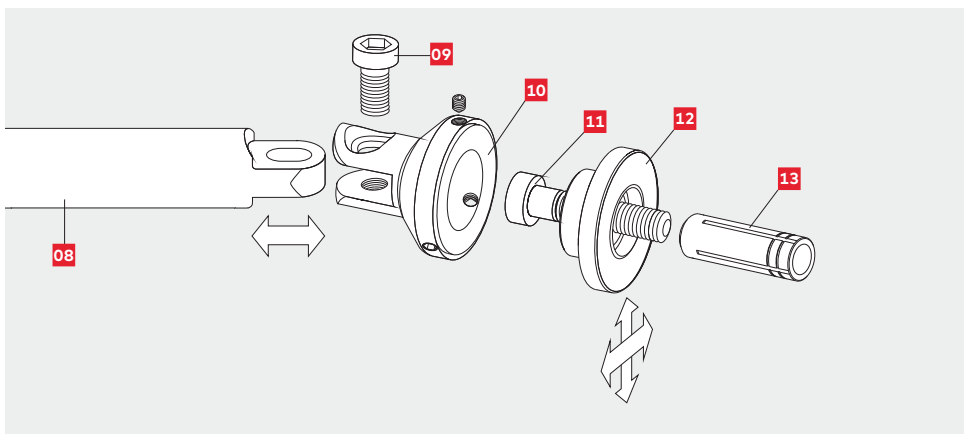
## Glass fixing



### Components

- 01** Clip-on cover
- 02** Connecting bolt
- 03** Conical collar
- 04** Conical sleeve
- 05** Gasket
- 06** Pivoting clamp
- 07** Connecting bolt
- 08** Connecting rod to suit length

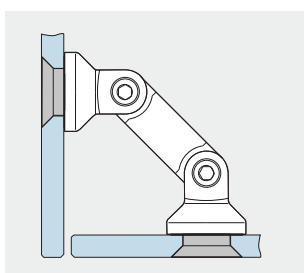
## Wall fixing



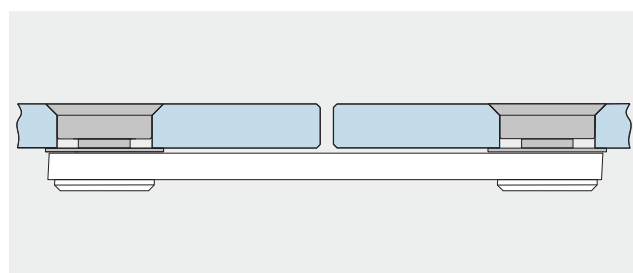
### Components

- 09** Connecting bolt
- 10** Pivoting clamp
- 11** Threaded rod M8 with small head, length and type to suit wallplug
- 12** Mounting plate, 2-dimensional adjustment
- 13** Wallplug on site to suit wall construction

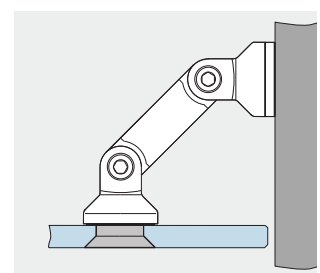
## 90°–180° Glass / Glass



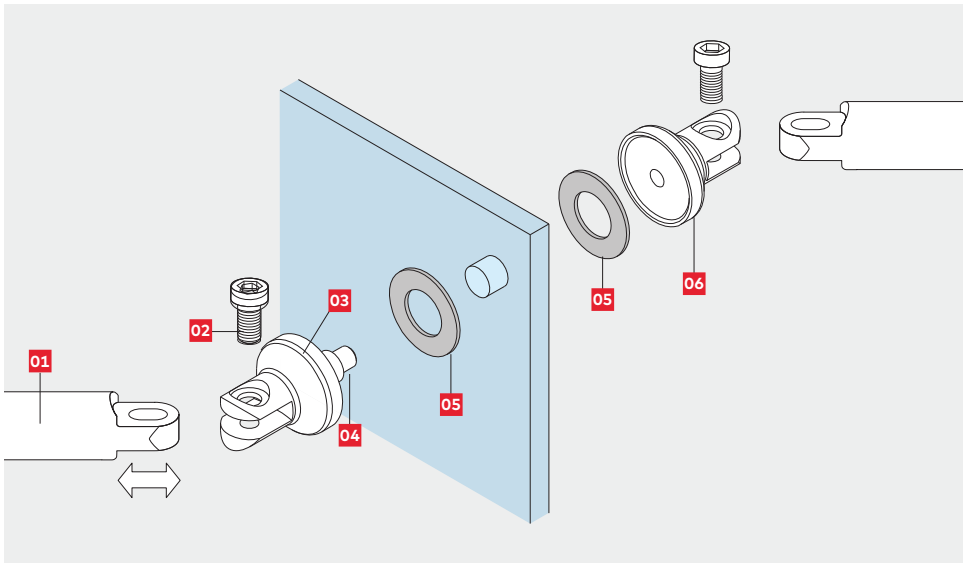
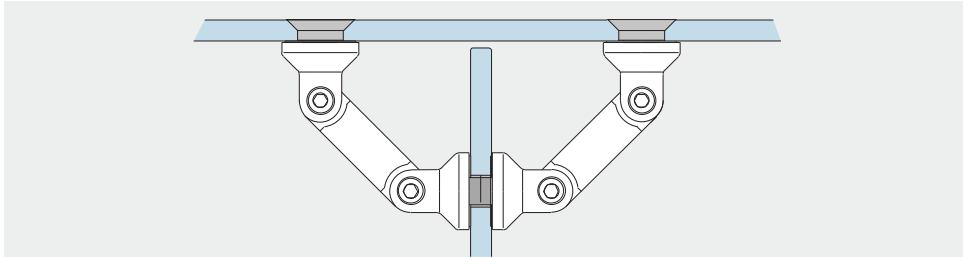
## Glass / Glass Connector



## 90°–180° Glass / Wall



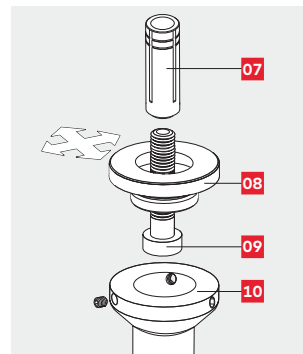
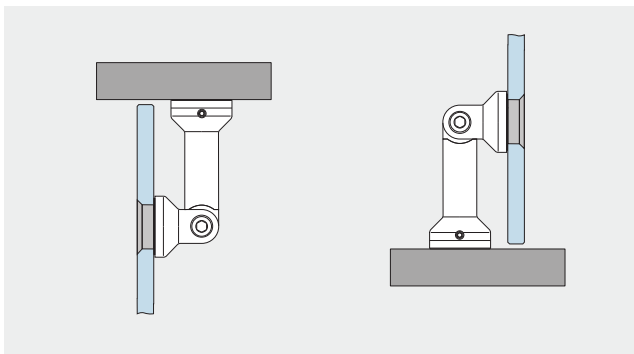
### Clamp connection glass



#### Components

- 01**  
Connecting rod or steel cable
- 02**  
Connecting bolt
- 03**  
Pivoting clamp
- 04**  
Connecting bolt
- 05**  
Gasket
- 06**  
Pivoting clamp

### Connection ceiling / floor

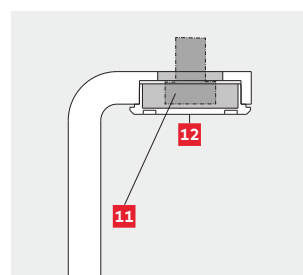
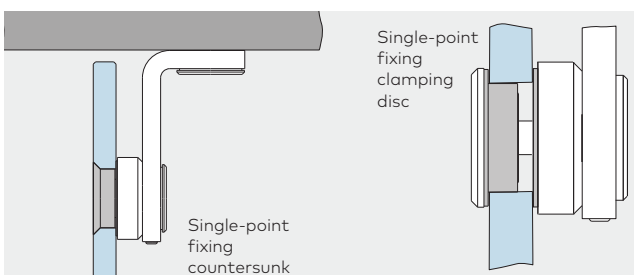


#### Components

- 07**  
Wallplug on site
- 08**  
Mounting plate,  
2-dimensional adjustable
- 09**  
Threaded rod M8
- 10**  
Column

Ceiling suspension only permissible with bottom glass panel support.

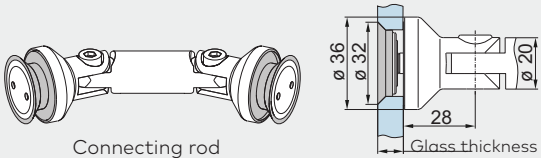
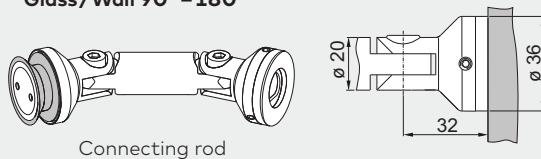
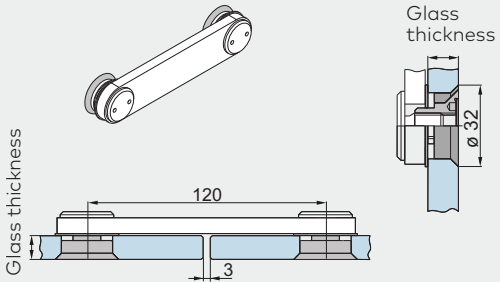
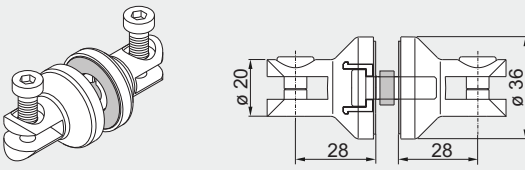
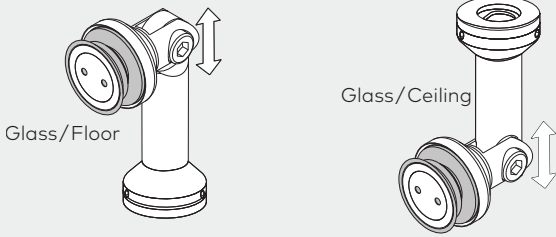
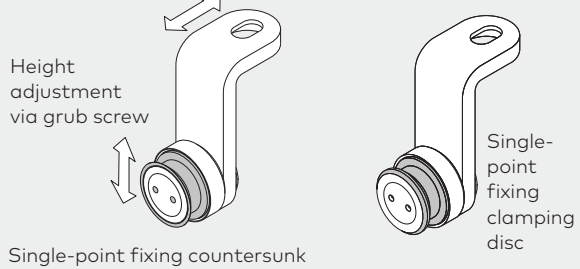
### Alternative connection ceiling



#### Components

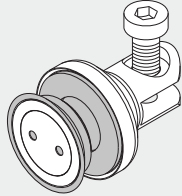
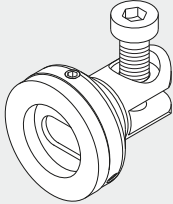
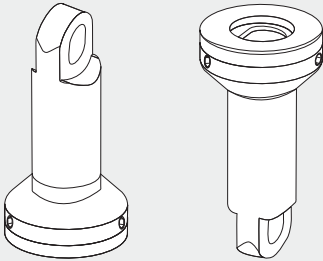
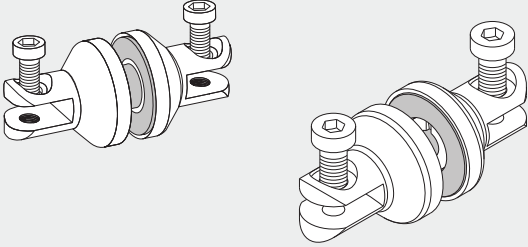
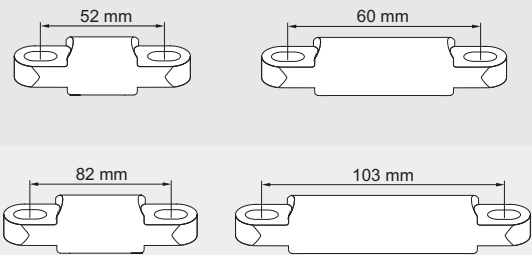
- 11**  
Threaded rod M8  
DIN 7984 M10 x..., or  
oval-head wood screw  
DIN 7996 M8 x...
- 12**  
Clip-on cover

# Complete fitting

	Product description	Glass thickness	Art. No.
<p><b>Glass/Glass 90°-180°</b></p>  <p>Connecting rod 52.5/60/82/103 mm</p>	<p><b>Complete fitting glass / glass</b></p> <p>With connecting rod 52.5 mm</p> <p>With connecting rod 60 mm</p> <p>With connecting rod 82 mm</p> <p>With connecting rod 103 mm</p>	8-12 mm	<p><b>29.120</b></p> <p><b>29.122</b></p> <p><b>29.125</b></p> <p><b>29.130</b></p>
<p><b>Glass/Wall 90°-180°</b></p>  <p>Connecting rod 52.5/60/82 mm</p>	<p><b>Complete fitting glass / wall</b></p> <p>With connecting rod 52.5 mm</p> <p>With connecting rod 60 mm</p> <p>With connecting rod 82 mm</p>	8-12 mm	<p><b>29.139</b></p> <p><b>29.140</b></p> <p><b>29.142</b></p>
<p><b>Glass/Glass 180° fixed</b></p>  <p>Glass thickness</p> <p>120</p> <p>3</p>	<p><b>Complete fitting Connector</b></p> <p>AISI 303</p> <p>AISI 316L</p>	8-12 mm	<p><b>29.148</b></p> <p><b>29.368</b></p>
	<p><b>Complete fitting Clamping connector</b></p>	8-12 mm	<b>29.149</b>
 <p>Glass/Floor</p> <p>Glass/Ceiling</p>	<p><b>Complete fitting Corner connector 90°</b> (only bearing function)</p>	8-12 mm	<b>29.145</b>
 <p>Height adjustment via grub screw</p> <p>Single-point fixing countersunk</p> <p>Single-point fixing clamping disc</p>	<p><b>Complete fitting Ceiling fixing</b> (bearing function)</p> <p>countersunk</p> <p>AISI 316L</p> <p>clamping disc</p> <p>AISI 316L</p>	8-12 mm	<p><b>29.337</b></p> <p><b>29.339</b></p> <p><b>29.338</b></p> <p><b>29.340</b></p>



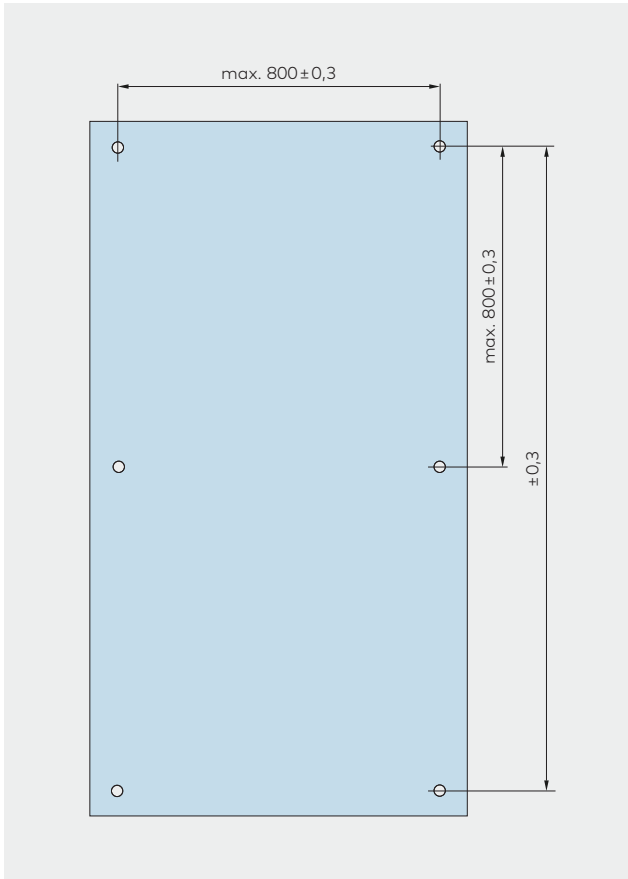
# Components

	Product description	Glass thickness	Art. No.
	<p><b>Pivoting glass clamp</b> inclusive screw sets</p> <p>countersunk clamping disc</p>	<p>8–12 mm 13,5–17,5 mm 17,5–21,5 mm</p>	<p><b>29.160</b> <b>29.165</b></p>
	<p><b>Pivoting wall fixing</b></p>		<p><b>21.141</b></p>
	<p><b>Column</b> Floor / ceiling fixing</p>		<p><b>21.146</b></p>
	<p><b>Clamping connector</b></p>	<p>8–12 mm</p>	<p><b>29.149</b></p>
	<p><b>Connecting rods</b></p> <p>Length 52.5 mm</p> <p>Length 60 mm</p> <p>Length 82 mm</p> <p>Length 103 mm</p>		<p><b>21.355</b></p> <p><b>21.356</b></p> <p><b>21.357</b></p> <p><b>21.358</b></p>

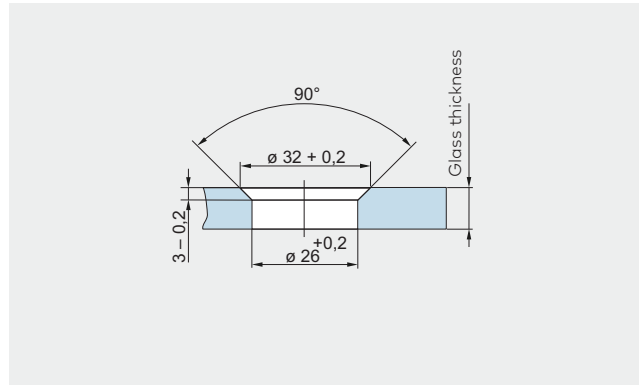
# Glass preparation connection system

For TSG and LSG from TSG.

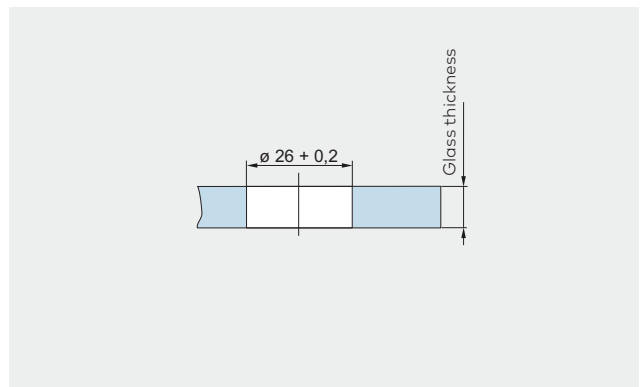
## Recommended centers for fixed glazing element



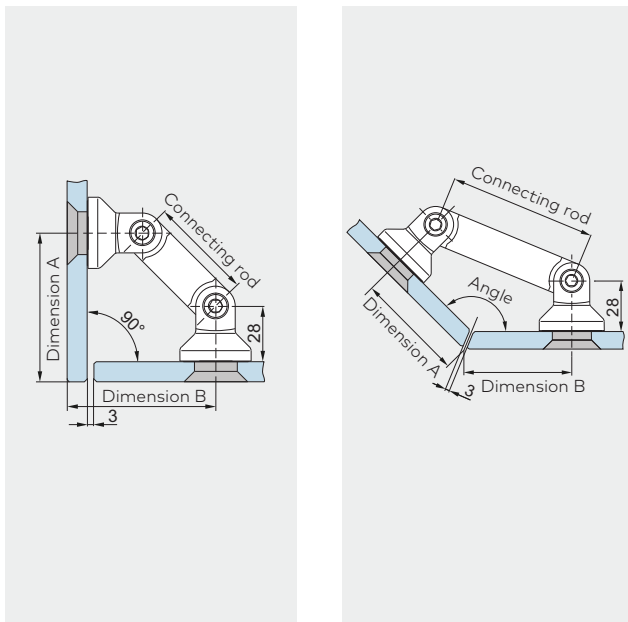
## Countersunk bore for countersunk single-point fixings



## Cylindrical bore for clamping disc single-point fixings



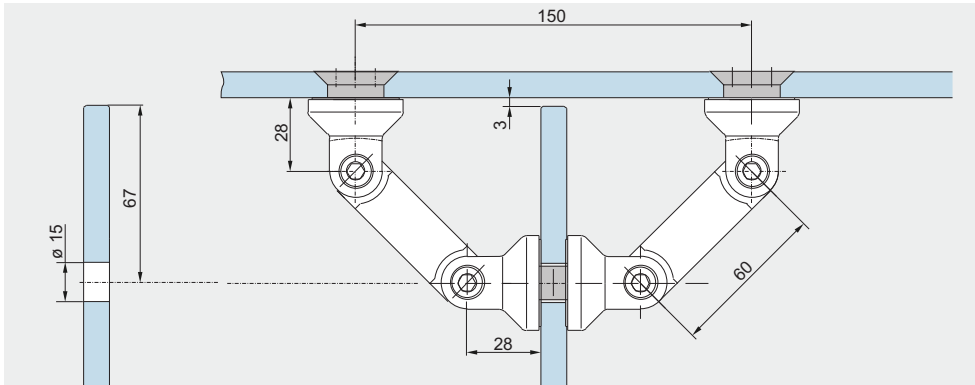
## Corner connectors glass / glass 90 – 180°



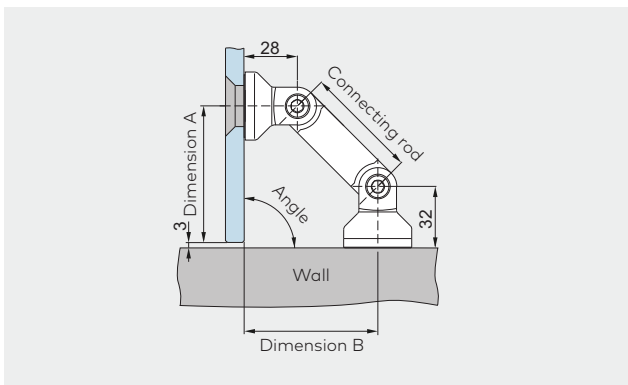
## Corner connectors glass / glass (dimensions in mm)

Angle	Length of connecting rod			
	52,5	60	82	103
Dimensions for 10 mm glass thickness (consider variants for other glass thicknesses).				
Angle	A/B	A/B	A/B	A/B
90°	75	80	96	
95°	70	75	90	
100°	66	71	85	
105°	62	67	81	
110°	59	63	77	
115°	55	60	73	
120°	52	56	69	
125°	49	54	66	
130°	47	51	63	
135°	44	48	60	
180°				50

**Clamping connector**



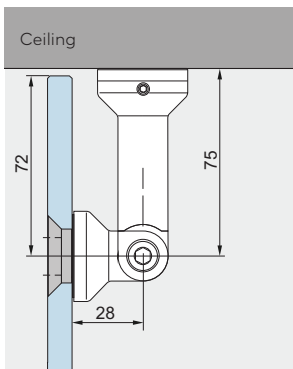
**Corner connectors glass / wall 90 – 180°**



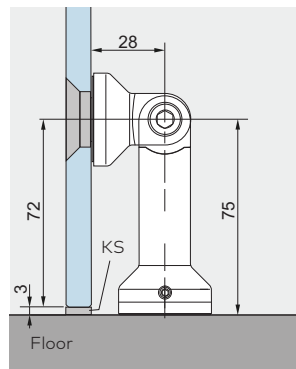
**Glass / wall (dimensions in mm)**

Length of connecting rod			
	52.5	60	82
Dimensions for 10 mm glass thickness (consider variants for other glass thicknesses)			
Angle	A/B	A/B	A/B
90°	67/65	72/70	87.5/86

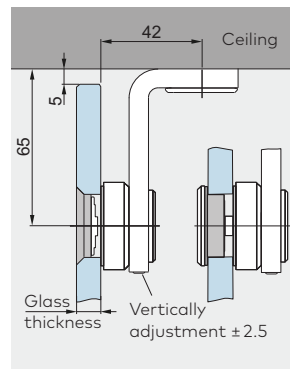
**Corner connector glass / ceiling**



**Corner connector glass / floor**



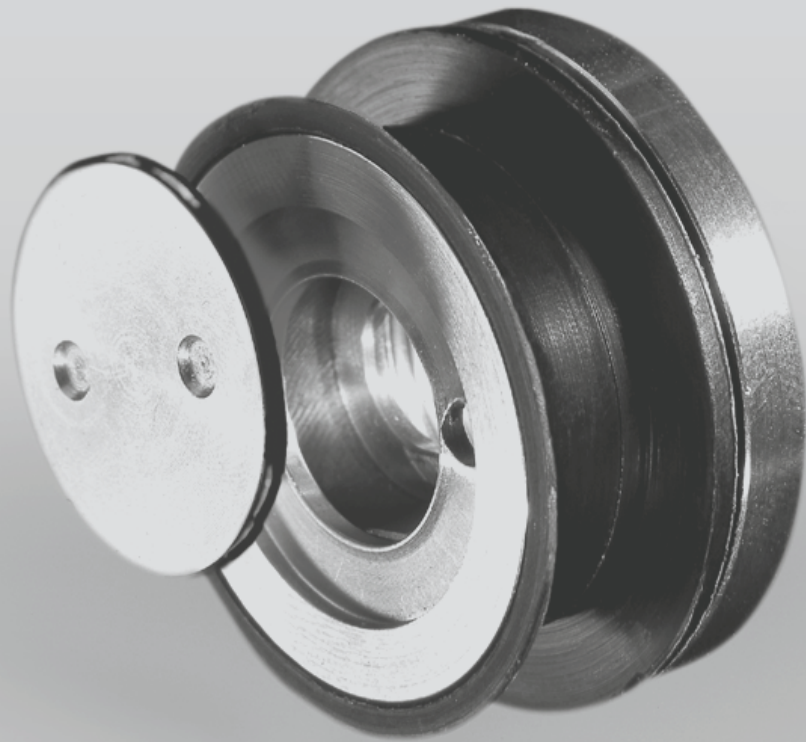
**Ceiling fixing (bearing)**



**Note:** Ensure compliance with minimum glass/bore clearances as per glass manufacturer recommendations. Glass preparation with a tolerance of max. ± 0.3 mm is recommended.

# Content

120	<b>Single-point fixing</b>
158	<b>Accessories</b>
175	<b>Safety-related information</b>



**MANET Concept  
single-point fixing**

## Single-point fixing Series S32 / 35

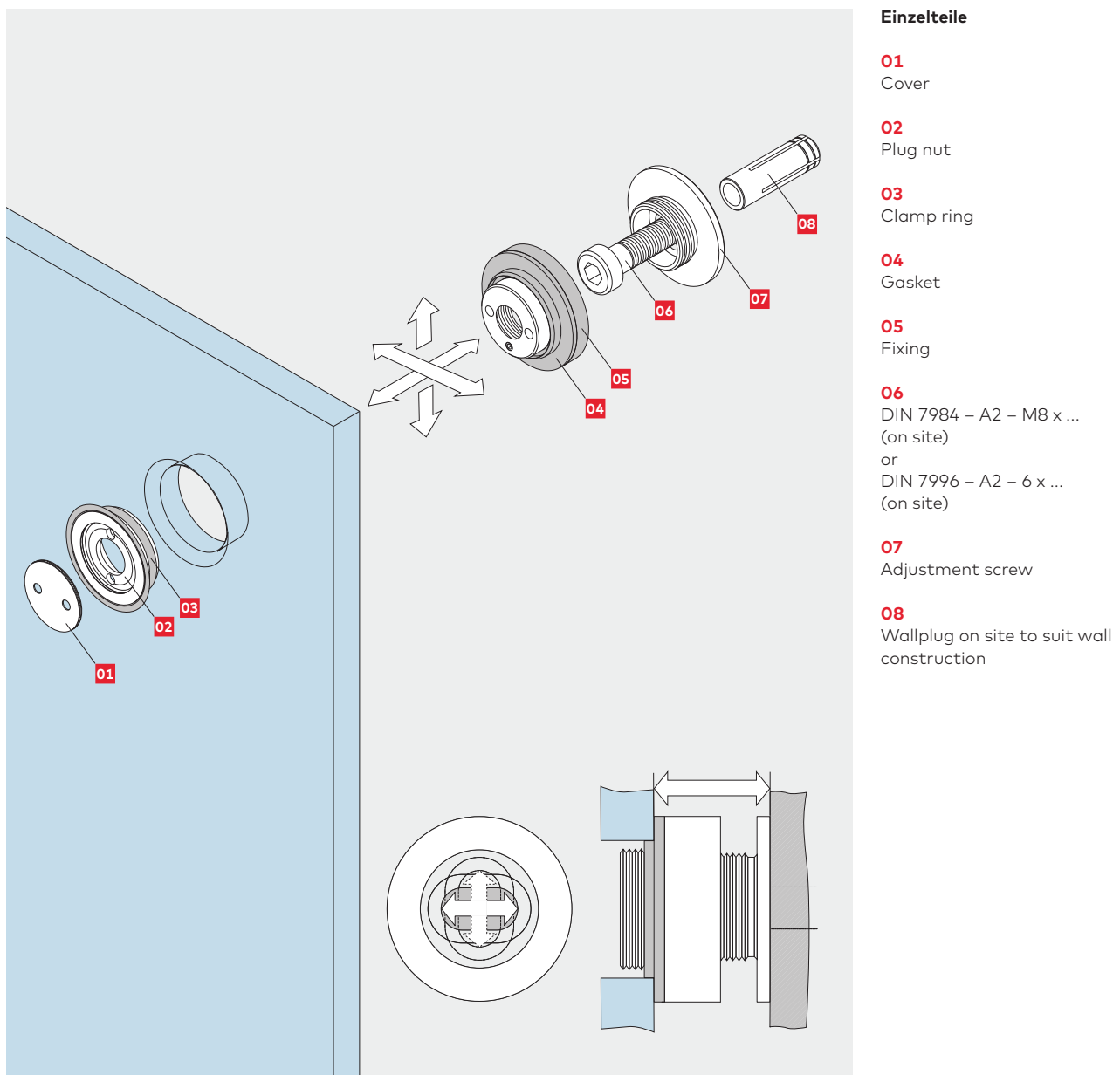


The basic component within the MANET system is the single-point fixing. Rather than cylindrical bore in the glass, this component has a tapered countersunk bore for a perfect seated fit to the glass. These give a flush finish of the single-point fixing in all applications.

The three-dimensional adjustability incorporated within the fitting ensures ideal compensation for structural and drilling tolerances. Constraint-free transmission of all the forces acting on the glass to the substructure is also ensured.

### Simple installation and metric adjustment

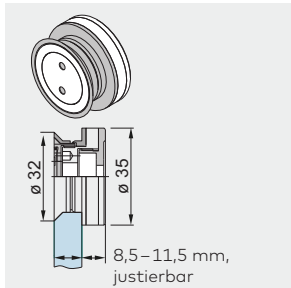
- The fixing and the gasket are wound onto the adjustment screw (7) already fitted to the wall, with the glass panel then being simply mounted over the top.
- The adjustment screw allows the position of the glass to be adjusted in 3 dimensions. An adjustment range of  $\pm 2$  mm in the vertical and lateral directions can be utilized by rotating the adjustment screw by up to  $90^\circ$ .
- Then it is simply a matter of aligning and securing the single-point fixing and plug nut. The clip-on cover (1) provides for a flush appearance.



#### Einzelteile

- 01**  
Cover
- 02**  
Plug nut
- 03**  
Clamp ring
- 04**  
Gasket
- 05**  
Fixing
- 06**  
DIN 7984 – A2 – M8 x ...  
(on site)  
or  
DIN 7996 – A2 – 6 x ...  
(on site)
- 07**  
Adjustment screw
- 08**  
Wallplug on site to suit wall  
construction

# Types



## Single-point fixing, glass / wall

wall offset  
8.5 – 11.5 mm,  
adjustable

**Countersunk**  
8/10 mm glass  
**Art. No. 29.200**

12 mm glass  
**Art. No. 29.210**

13.5 mm glass  
**Art. No. 29.240**

15 mm glass  
**Art. No. 29.244**

17.5 mm glass  
**Art. No. 29.248**

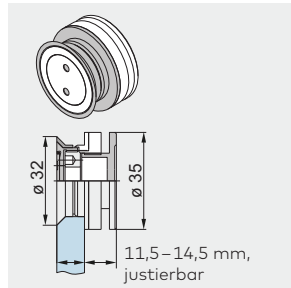
**Aufliegend**  
8/10 mm glass  
**Art. No. 29.700**

12 mm glass  
**Art. No. 29.705**

13.5 mm glass  
**Art. No. 29.710**

15 mm glass  
**Art. No. 29.715**

17.5 mm glass  
**Art. No. 29.720**



## Single-point fixing, glass / wall

wall offset  
11.5 – 14.5 mm,  
adjustable

**Countersunk**  
8/10 mm glass  
**Art. No. 29.201**

12 mm glass  
**Art. No. 29.211**

13.5 mm glass  
**Art. No. 29.241**

15 mm glass  
**Art. No. 29.245**

17.5 mm glass  
**Art. No. 29.249**

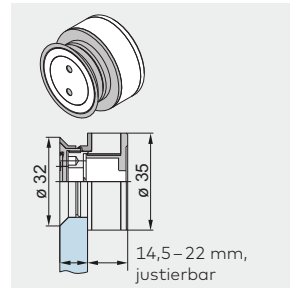
**Aufliegend**  
8/10 mm glass  
**Art. No. 29.701**

12 mm glass  
**Art. No. 29.706**

13.5 mm glass  
**Art. No. 29.711**

15 mm glass  
**Art. No. 29.716**

17.5 mm glass  
**Art. No. 29.721**



## Single-point fixing, glass / wall

wall offset  
14.5 – 22 mm,  
adjustable

**Countersunk**  
8/10 mm glass  
**Art. No. 29.202**

12 mm glass  
**Art. No. 29.212**

13.5 mm glass  
**Art. No. 29.242**

15 mm glass  
**Art. No. 29.246**

17.5 mm glass  
**Art. No. 29.250**

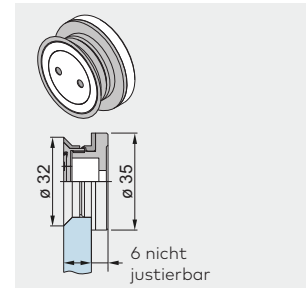
**Aufliegend**  
8/10 mm glass  
**Art. No. 29.702**

12 mm glass  
**Art. No. 29.707**

13.5 mm glass  
**Art. No. 29.712**

15 mm glass  
**Art. No. 29.717**

17.5 mm glass  
**Art. No. 29.722**



## Single-point fixing, glass / wall

fixed wall offset  
6 mm,  
not adjustable

**Countersunk**  
8/10 mm glass  
**Art. No. 29.205**

12 mm glass  
**Art. No. 29.215**

13.5 mm glass  
**Art. No. 29.243**

15 mm glass  
**Art. No. 29.247**

17.5 mm glass  
**Art. No. 29.251**

**Aufliegend**  
8/10 mm glass  
**Art. No. 29.730**

12 mm glass  
**Art. No. 29.731**

13.5 mm glass  
**Art. No. 29.732**

15 mm glass  
**Art. No. 29.733**

17.5 mm glass  
**Art. No. 29.734**

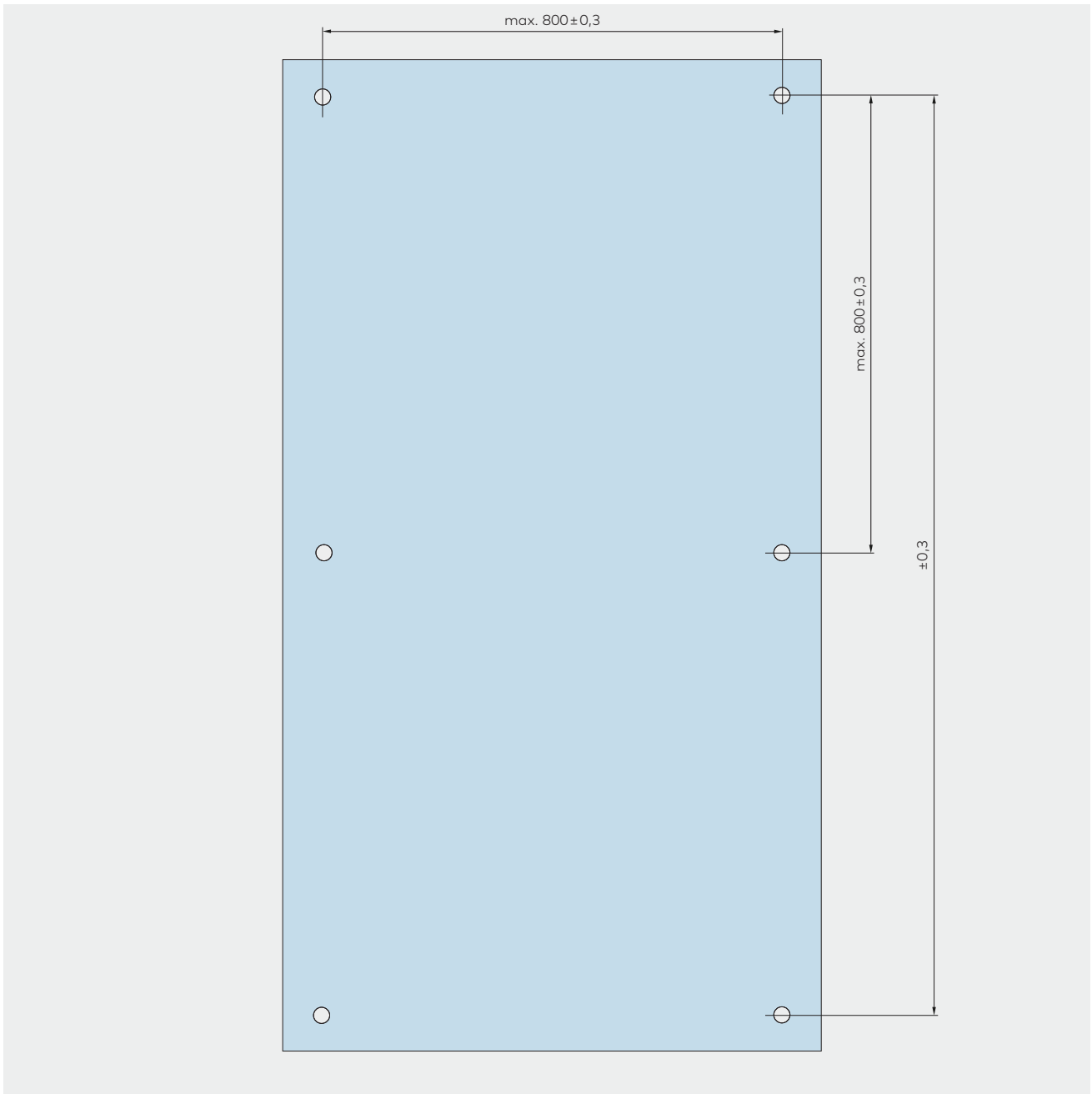
Stainless steel quality AISI 316L on request.



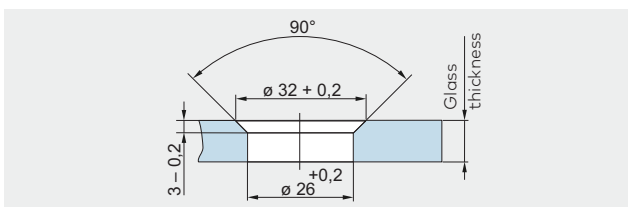
# Glass preparation connection system

For TSG and LSG from TSG.

## Recommended centers for fixed glazing element



### Countersunk bore for countersunk single-point fixings



### Cylindrical bore for clamping disc single-point fixings

