



# 9000 Series

# A complete line of panic hardware

**dormakaba offers a complete line of panic hardware for virtually any egress control installation in which security, reliability and appearance are considerations. Our devices cover the full range of hardware requirements found in such places of public assembly as hospitals, universities and schools, public auditoriums, commercial buildings, hotels and municipal buildings.**

dormakaba offers a comprehensive line of 9000 Series narrow stile architectural touchbar devices, including concealed and surface panic bolts and rim panic latch. Each model is available with a broad range of outside operating trim and special electrical functions.

dormakaba panic hardware is manufactured to the same exacting standards for quality and workmanship that have made dormakaba door closers the leading door controls worldwide.

The 9000 Series features solid, wrought metal full length touchbars, rails and covers. The brass, bronze, stainless steel and aluminium materials provide an architectural finish that will remain attractive even in the most punishing conditions. Chassis are constructed of an alloy steel with zinc dichromate finish and stainless steel dead-locking pullman type latchbolts, while end caps are a rugged zinc alloy die casting.

### Plus points

#### For the trade

- Engineered, reliable product
- Excellent value when comparing product, price and service
- Handing and functions are field-changeable to minimise inventory variants

#### For the installer/fabricator

- Easy to install, with simple, straightforward installation instructions and fixing templates
- Versatility by field-cutting units to suit varying door widths
- Minimal adjustment required at installation
- Simple design requires virtually no in-service maintenance

#### For the architect/specifier

- Covers all applications with rim panic latch, surface panic bolt and concealed panic bolt configurations
- Variety of locking options and outside operating trim
- Electrical operating functions for specialised applications
- Complete range of architectural finishes

#### For the user

- Durable finishes are long lasting
- Few, but easily replaced, parts for continued service
- Life-cycle tested to guarantee on-going performance

### General Information

- Full door-width touchbar and rail, chassis and latchbolt covers are fabricated from brass, bronze, aluminium or stainless st
- Die-cast end cap for touchbar assembly finished in comparable electro-plated finish
- All devices easily field-reversible
- Fasteners provided for metal and wood door applications

Data & Features	9700 Panic Latch	9800 Surface Panic Bolt	9600 Concealed Panic Bolt
Size AA Doors 1220 to 838mm	●	●	●
Size BB Doors 915 to 686mm	●	●	●
Size CC Doors 915 to 610mm	●	●	●
Size DD Doors 410 to 610mm	○	●	●
Door Height to 2430mm	●	●	●
Door Height 2430 to 3050mm	●	○	○
Door Thickness 45 to 58mm	●	●	●
Door Thickness 58 to 101mm	○	○	○
Site Reversible Handing	●	●	●
Hex Key Dogging	●	●	●
Cylinder Dogging	○	○	○
Deadlocking Top Pullman Latch	-	●	●
Bottom Round Slide Bolt	-	●	●
Bottom Pullman Latch	-	○	○
Electronic Bolt Retraction	○	○	○
Monitor Switch in Touchbar	○	○	○
Battery Powered Exit Alarm	○	○	○
Direct Wired Exit Alarm	○	○	○
Outside Operating Trim	○	○	○
CE Marked to BS EN1125	●	●	●
CERTIFIRE Approved for Timber and Metal Doors CF875	●	●	-
Anti-corrosion	○	○	○
Anti-bacterial Coating	○	○	○

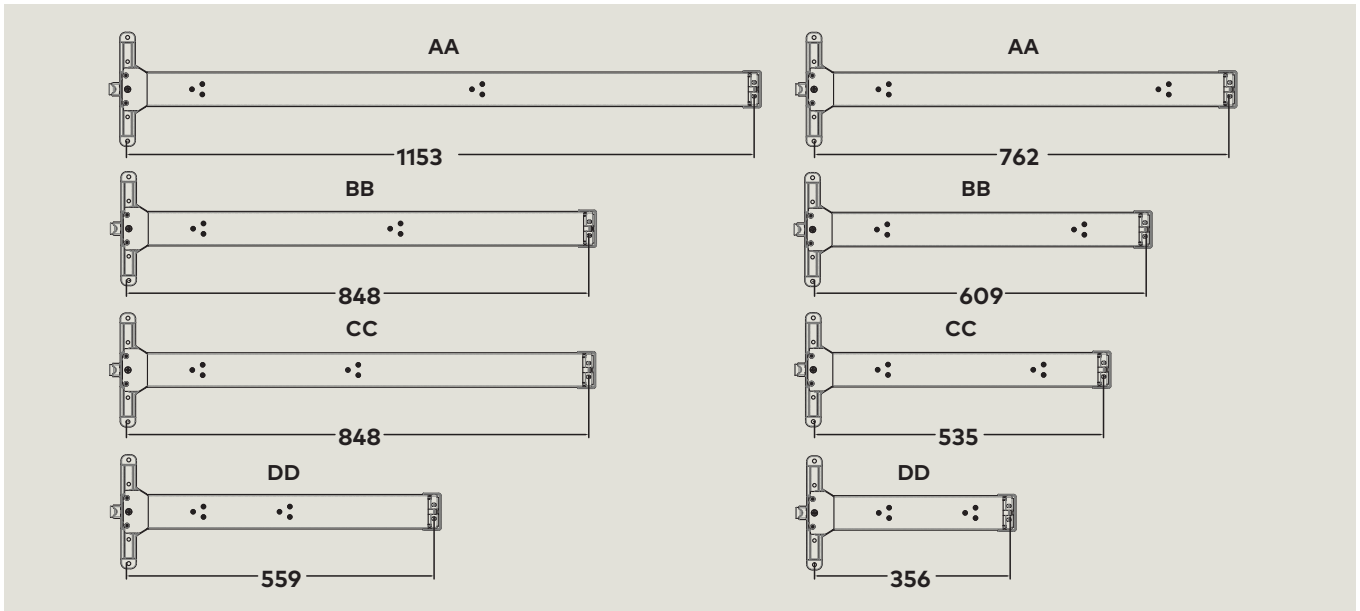
● yes   - no   ○ optional

The Panic Hardware products in the dormakaba 9000 series have been tested and approved to BS EN 1125 and carry the CE - conformity mark in accordance with supplement ZA to that standard.

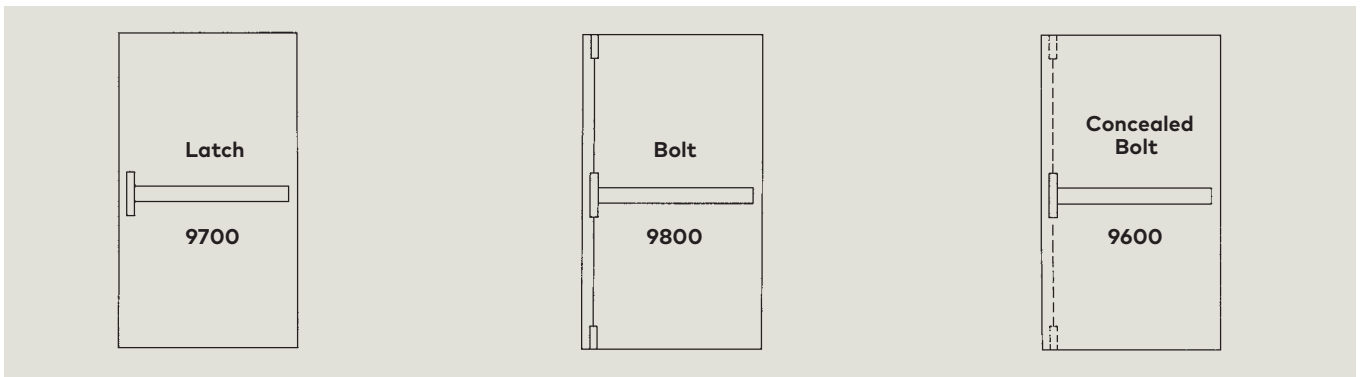
The quality-assurance system at the DORMA Group North America, Steeleville, Illinois, U.S.A. plant is certified to ISO 9001 and ISO14001



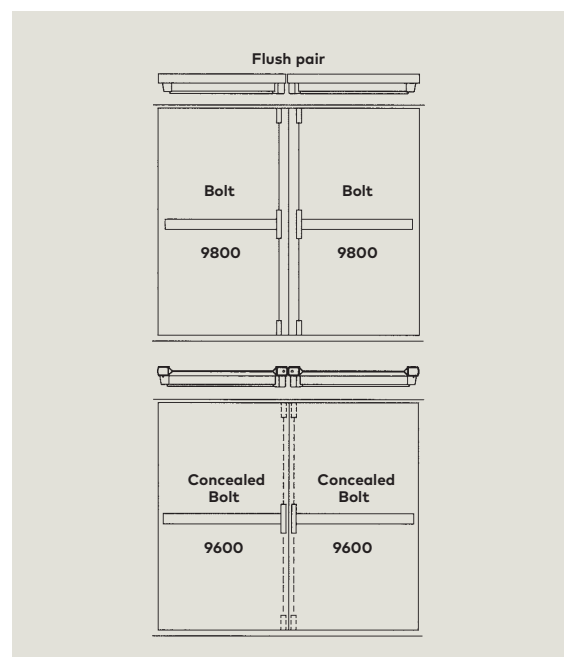
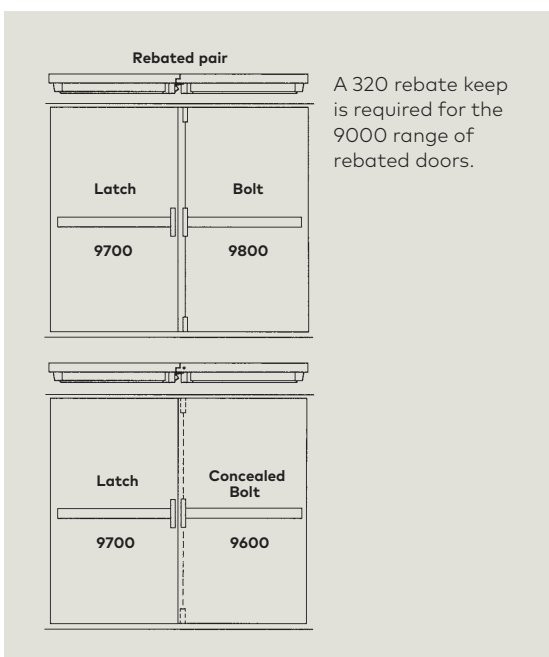
## Maximum and minimum fixing centres in mm



## Single doors



## Double doors

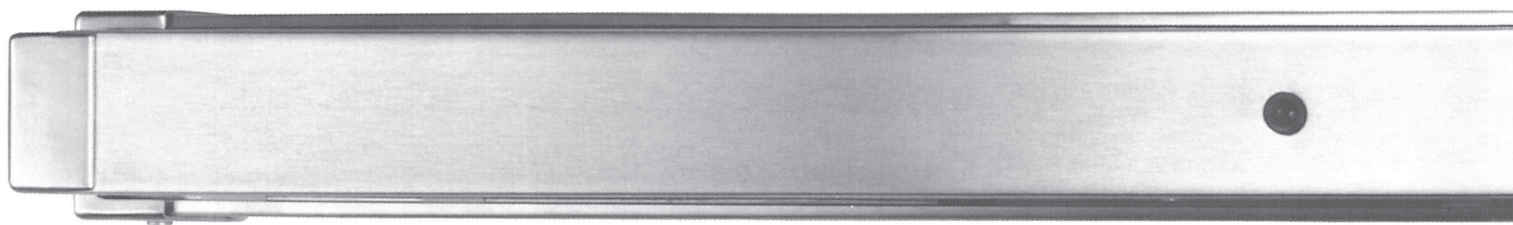
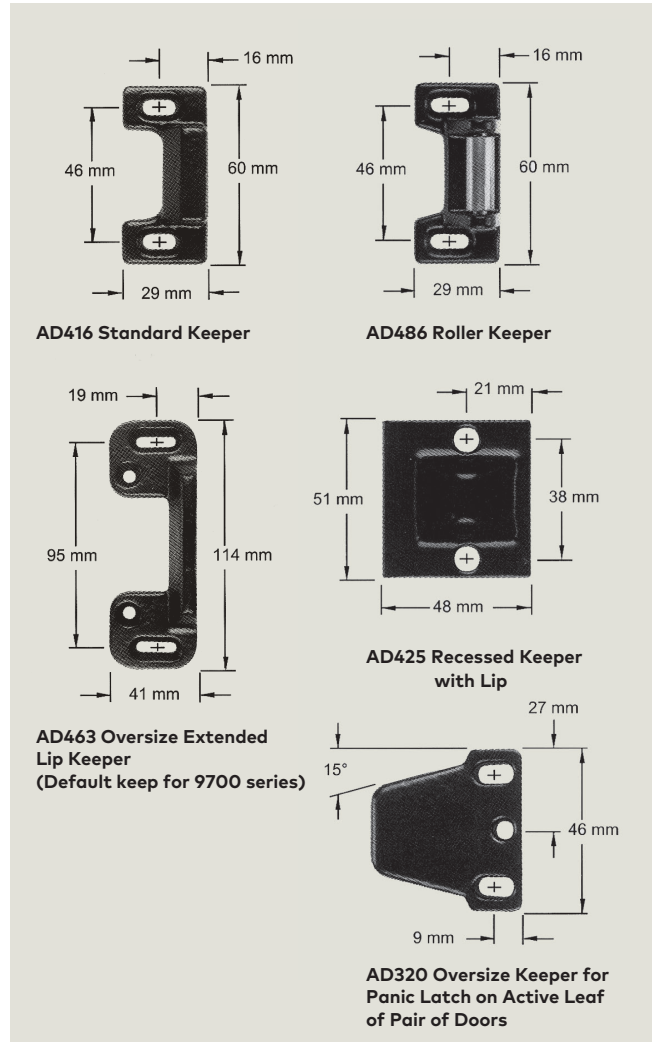
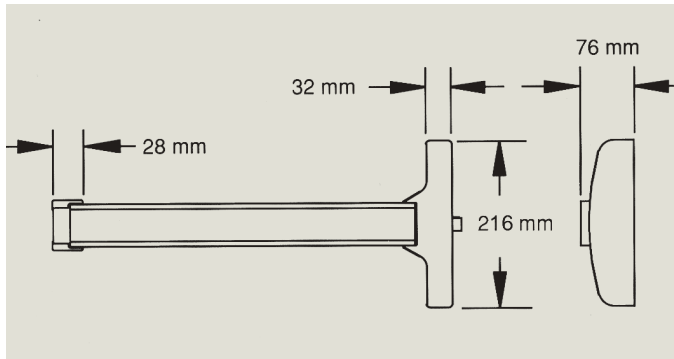


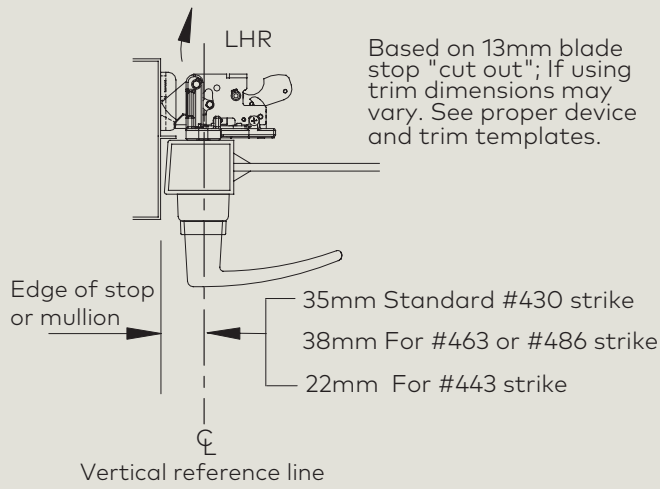
## 9700 Series

The 9700 Series is a rim panic latch fitted completely to the face of the door. The 19mm dead-locking latchbolt engages a keeper, normally surface applied to the frame (recessed keeper also available). This provides simple installation, yet secure locking of the door.

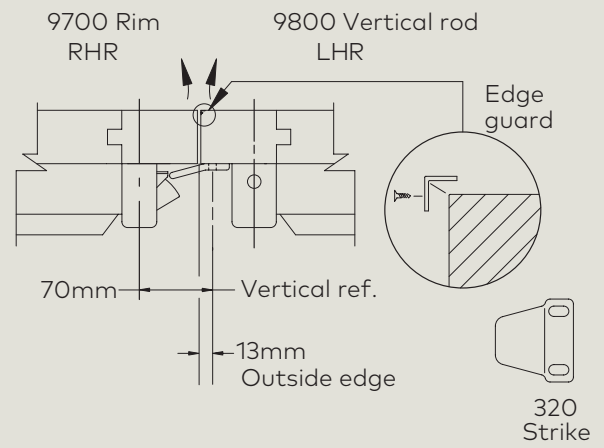
### Specifications

- Size "AA" device fits 1220mm wide door, can be cut to door 838mm wide on site.
- Size "CC" device fits 915mm wide door, can be cut to door 610mm wide on site.
- Size "DD" device fits 610mm wide door, can be cut to door 410mm wide on site.
- Hex key dogging standard, cylinder dogging optional, specify suffix "CD". CD option requires American mortice cylinder, not included.
- Where dogging is not desired, specify suffix "LD".

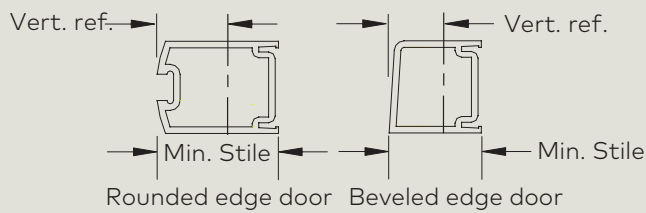




Based on 13mm blade stop "cut out"; if using trim dimensions may vary. See proper device and trim templates.



**Backset or vertical reference is measured from outer edge of door as shown. Minimum stile is less glass stop.**



Type of installation	Minimum vertical ref. of chassis	Minimum Stile	
		Pull only	"Z" trim
Single door 13mm blade stop	35mm	51mm	56mm
Pairs and double egress	32mm	41mm	54mm

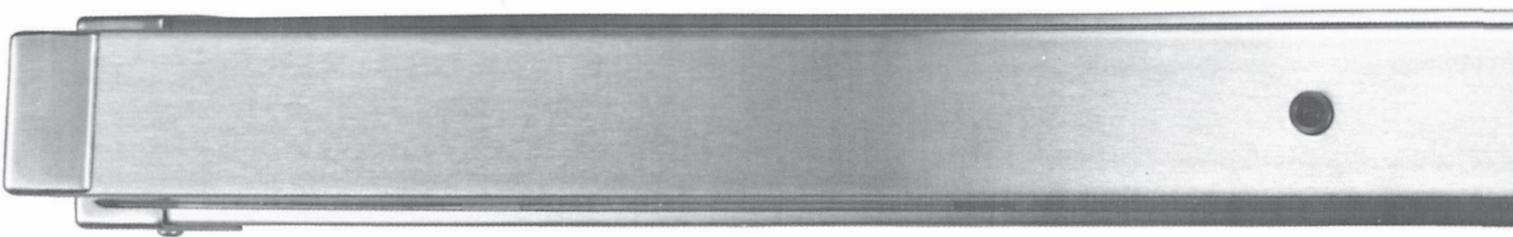
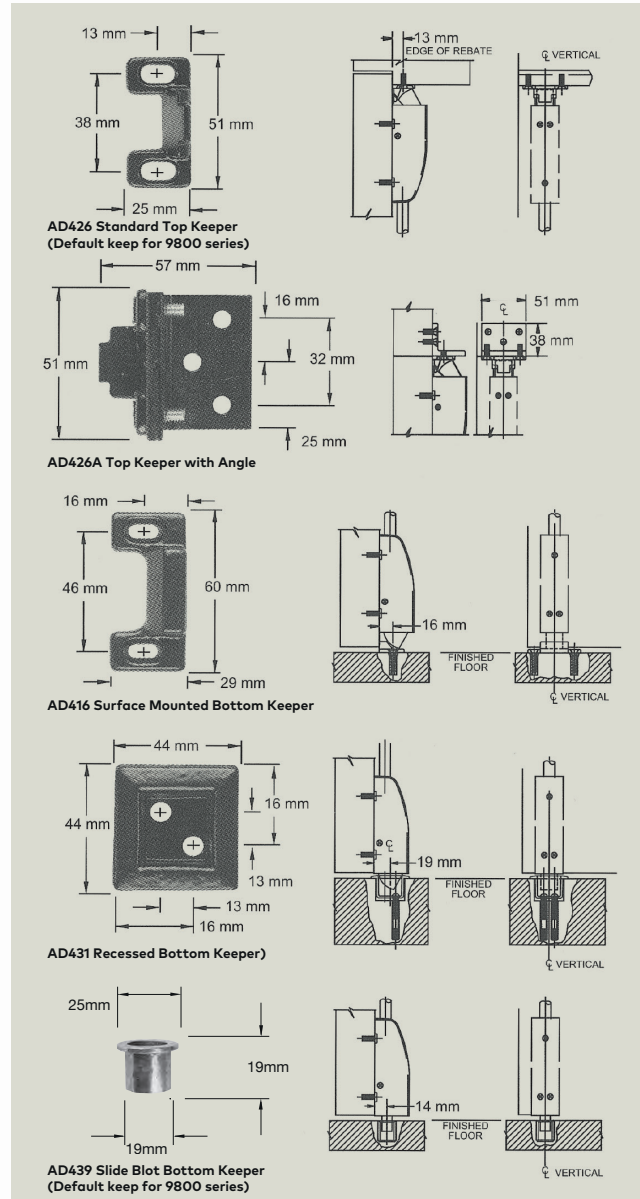
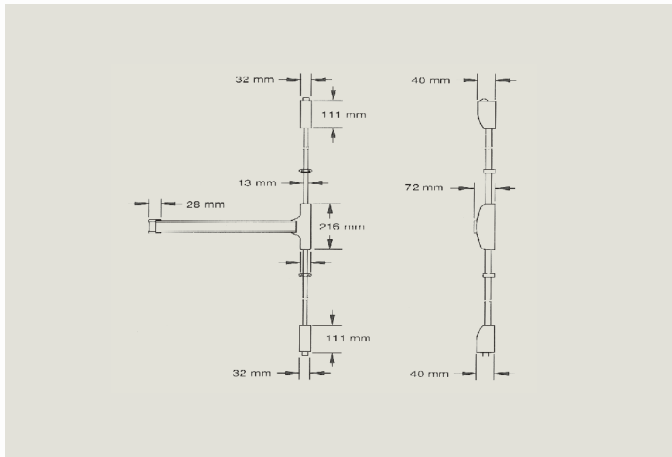


## 9800 Series

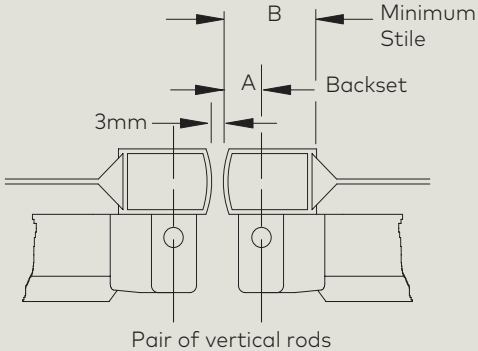
The 9800 Series is a panic bolt fitted completely to the face of the door. The 19mm deadlocking, Pullman type latchbolt engages surface or recessed keepers in the frame head and a 12mm slide bolt engages in the floor, providing secure dual-point locking of the door.

### Specifications

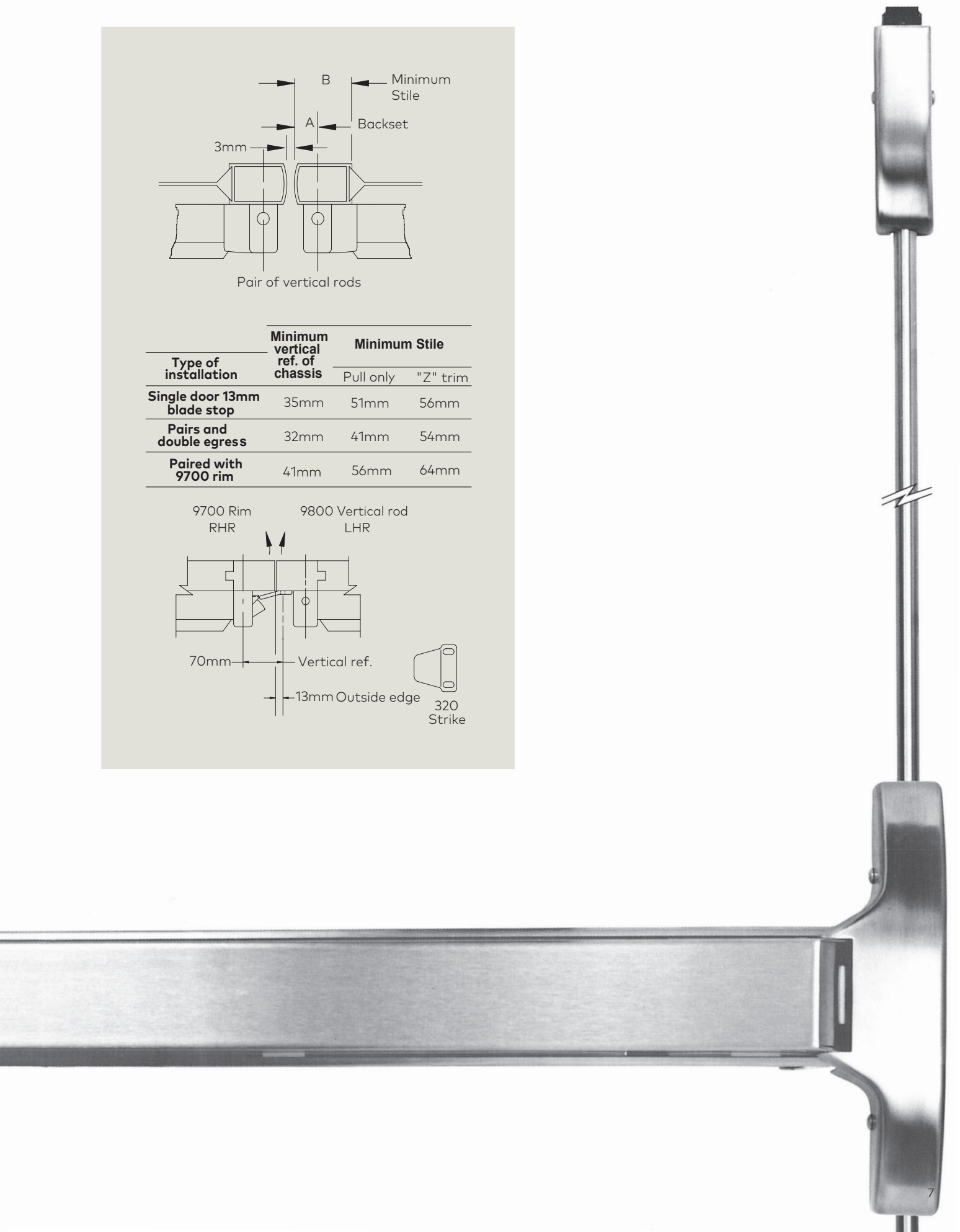
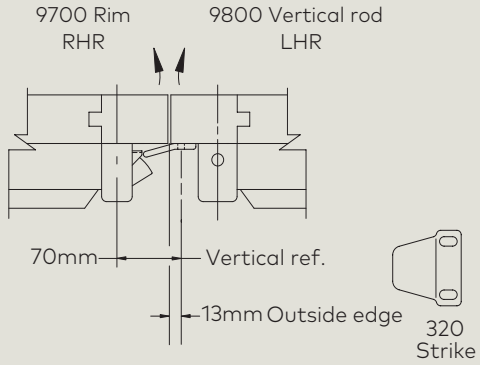
- Size "AA" device fits 1220mm wide door, can be cut to door 838mm wide on site.
- Size "CC" device fits 915mm wide door, can be cut to door 610mm wide on site.
- Size "DD" device fits 610mm wide door, can be cut to door 410mm wide on site.
- Standard device fits doors up to 2430mm high, specify extended rods "ETR" for doors 2430mm to 3050mm high.
- Hex key dogging standard, cylinder dogging optional, specify suffix "CD". CD option requires American mortice cylinder, not included (no dogging available on size DD bars).
- Where dogging is not desired, specify suffix "LD".
- Devices are handed but easily field-reversible.







Type of installation	Minimum vertical ref. of chassis	Minimum Stile	
		Pull only	"Z" trim
Single door 13mm blade stop	35mm	51mm	56mm
Pairs and double egress	32mm	41mm	54mm
Paired with 9700 rim	41mm	56mm	64mm

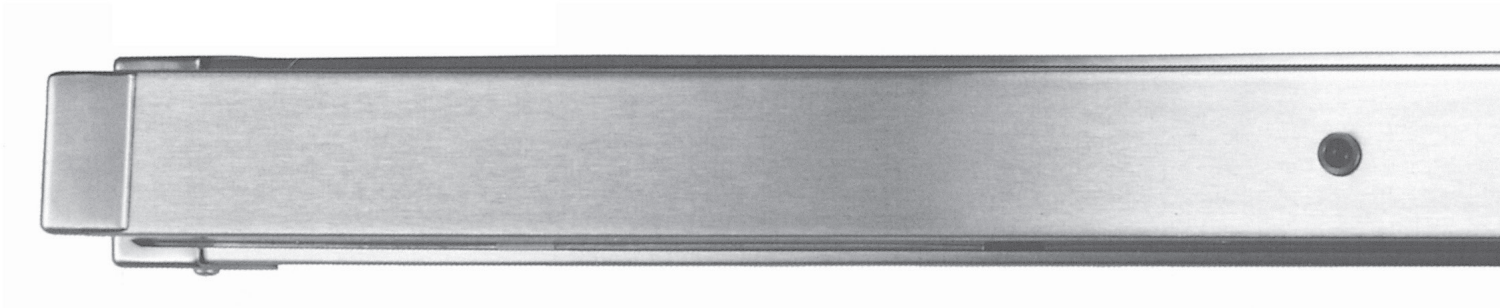
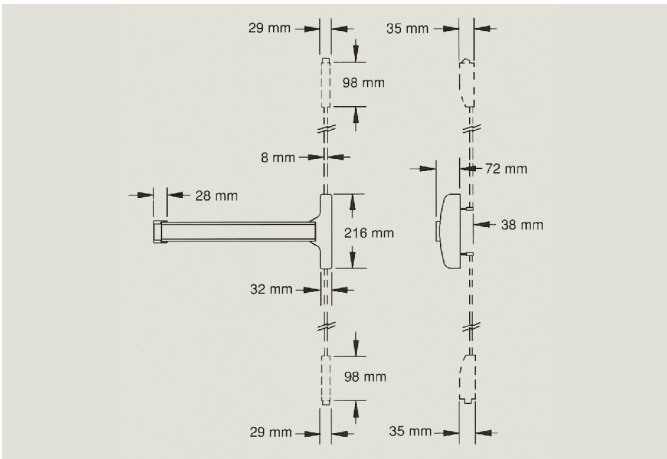
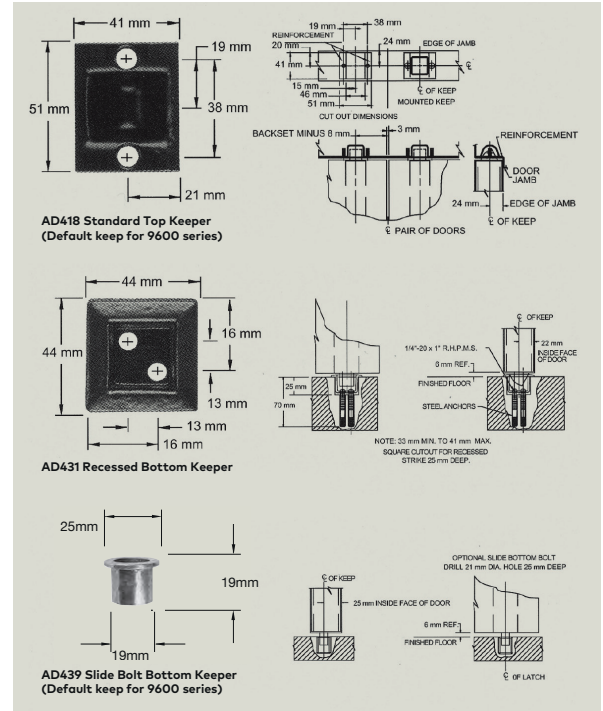


# 9600 series

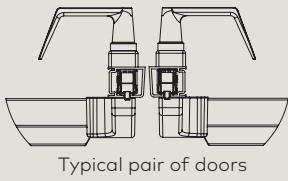
The 9600 Series is a panic bolt concealed in the lock stile of the door, providing improved aesthetic appeal. The touchbar assembly is fitted to the face of the door. The 19mm deadlocking pullman type latchbolt engages keepers recessed in the frame head and a 12mm slide bolt engages in the floor, providing secure dual-point locking of the door.

## Specifications

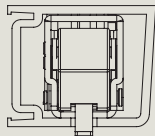
- Size "AA" device fits 1220mm wide door, can be cut to door 838mm wide on site.
- Size "CC" device fits 915mm wide door, can be cut to door 610mm wide on site.
- Size "DD" device fits 610mm wide door, can be cut to door 410mm wide on site.
- Standard device fits doors up to 2430mm high, specify extended rods "ETR" for doors 2430mm to 3050mm high.
- Hex key dogging standard, cylinder dogging optional, specify suffix "CD". CD option requires American mortice cylinder, not included (no dogging available on size DD bars).
- Where dogging is not desired, specify suffix "LD".
- Devices are handed but easily field-reversible.





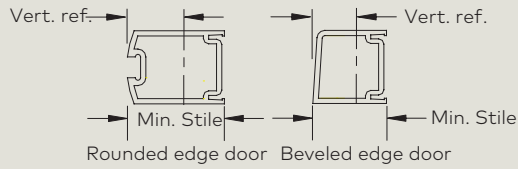


Typical pair of doors

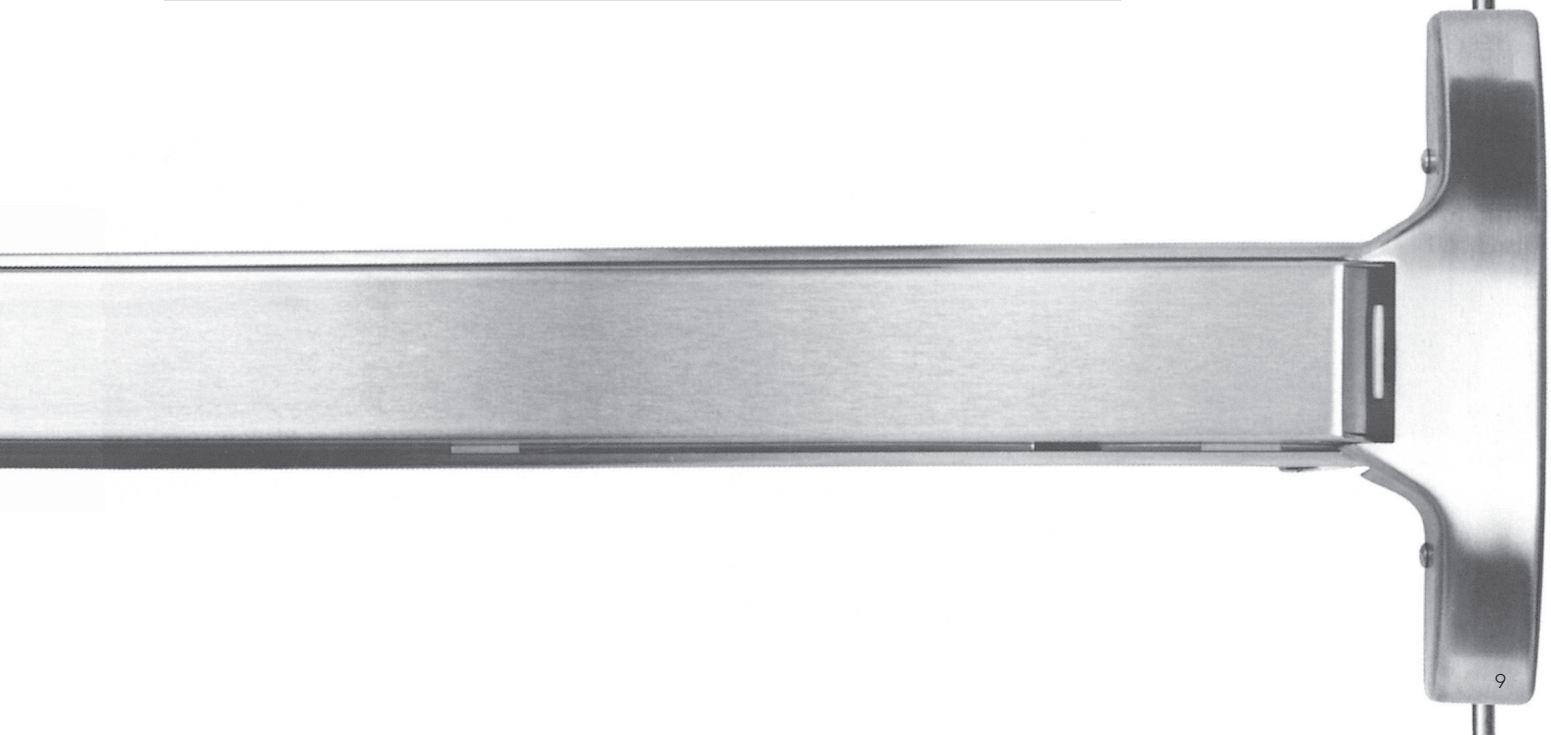
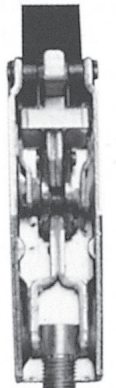
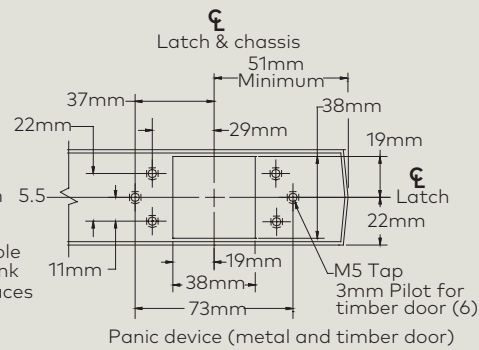
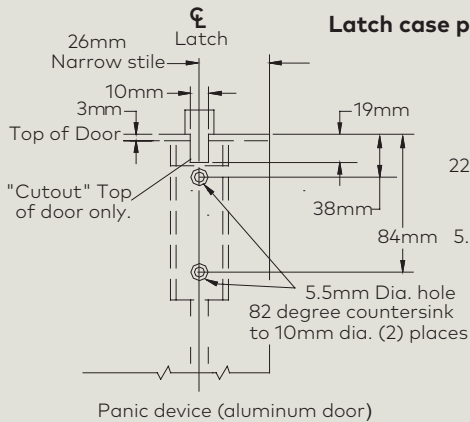


**Note: On narrow stile vertical center line of chassis may not be on same center line as latch.**

Backset or vertical reference is measured from outer edge outer edge of door as shown. Minimum stile is less glass stop.



Type of installation	Minimum vertical ref. of chassis	Minimum Stile	
		Pull only	"Z" trim
Single door 13mm blade stop	32mm	52mm	59mm
Pairs and double egress	32mm	51mm	54mm



## Optional electric functions

### Motorised Latch Retraction Specify suffix MLR

A motor concealed in the touchbar provides instantaneous retraction of the latchbolt to provide access from the secure side of the door. Remote control can be accomplished with switching devices such as key switches, card readers etc. that provide a normally open or closed electrical contact. The MLR unit can also be used for electronically dogging the bar open.

For Automatic functions, the 9000 MLR device can be paired on an opening with dormakaba ED100 and ED250 automatic operators.

Because of its' low amperage draw (under 1 A), the MLR feature can be powered by a DORMA ED100 or ED250 automatic operator thus removing the need for a separate power supply unit.

### Technical Data

Motor rated at 1 A 24 VDC

When activated drawing in touchbar: 0.88 A

Electric dogging continuous 0.4 A

- Size "AA" device fits 1220mm wide door, can be cut to door 838mm wide on site
- Size "CC" device fits 915mm wide door, can be cut to door 610mm wide on site

**Monitor Switch** Specify suffix MS. A micro switch in the touchbar assembly which provides local and/or remote notification when the touchbar is depressed. 2 single pole double throw switches, 0.50 Amp 28VDC.

**Latch Monitor** Specify suffix LM. A micro switch attached to the device chassis on 9000 Series units only, provides local and/or remote notification of movement of the panic bolt rods and latchbolt without depressing the touchbar.

## 40PSU9000MLR Power supply

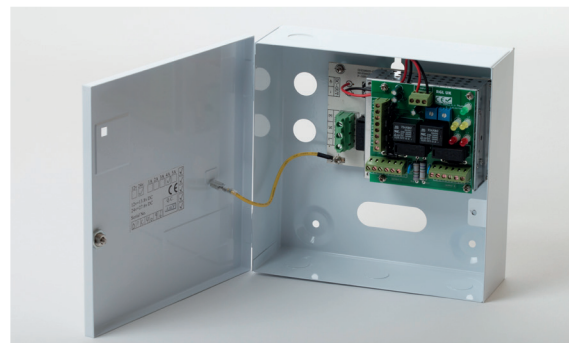
The 40PSU9000MLR Power Supply has an inbuilt timer module and is capable of powering and controlling 2no. 9000 Series Panic Devices with MLR Motorised Latch Retraction.

Input 230VAC +10%-15% 500mA

Output Current 4A

Output Voltage 24-26VDC

- **Minimum** recommended wire size is 18#GA (1.02mm). Terminals will handle up to 12#GA (2.05mm)
- **Maximum** wire run distance is 30m between device and ADPS501 power supply with 12#GA wire
- **Maximum** wire length from power supply to device and back in metres/wire gauge



18#GA = 7.5m, 1.02mm	16#GA = 15m, 1.29mm	14#GA = 22.5m, 1.63mm	12#GA = 30m, 2.05mm
-------------------------	------------------------	--------------------------	------------------------

## Battery alarm panic device

9000 Series panic devices are available in an integral battery powered alarm configuration. The 90 decibel alarm contained in the panic device touchbar and rail assembly activates when the touchbar is depressed and sounds continuously until the battery is completely discharged. Alternatively, a factory-furnished option allows the alarm to sound for four minutes, then automatically re-arms.

Furnished with and controlled by a lock cylinder and key, the unit allows ten seconds to exit through the door after arming the alarm, indicated by an intermittently flashing red L.E.D. light in the touchbar. A yellow L.E.D. in the touchbar will flash, until manually reset by key, to indicate an unauthorised exit even if the alarm has automatically reset.

The unit is furnished with a 9-Volt, industrial grade battery concealed in the end cap assembly for easy replacement. A tamper-proof switch will activate the alarm if unauthorised removal of the battery is attempted. An option for 12- or 24-Volt direct power wiring is available.

- Specify suffix "BPA" to 9000 Series model number for Battery Alarm Device
- Specify suffix "BPAR" for 4 minute auto reset Battery Alarm Device
- Specify suffix "DWA" for direct hard-wired option
- Size "AA" device fits 1220mm wide door, can be cut to door 864mm wide on site
- Size "BB" device fits 915mm wide door, can be cut to door 712mm wide on site



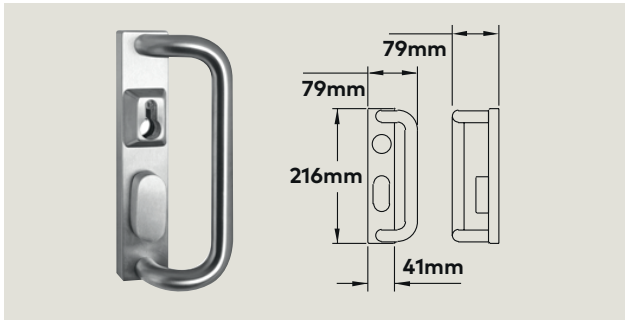
**Battery alarm device**

## Outside entry functions and key operated trims

9000 Series panic devices are available with a variety of outside entry functions and operating trim.

Specific type cylinder requirement varies by the function selected. Refer to the details specified with each trim and function outlined below. Cylinders are not included.

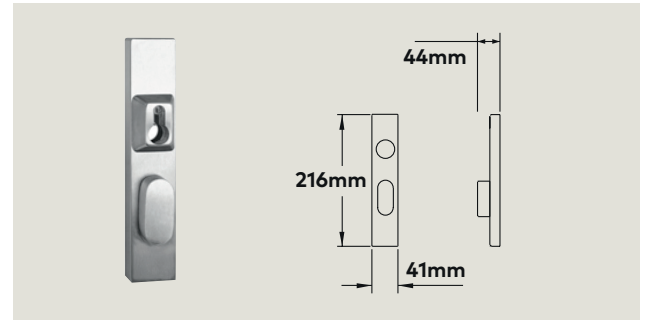
### ZP11/ZP12



**Function 11-Entrance by thumbturn and pull** – Key locks or unlocks thumbturn.

**Function 12-Entrance by thumbturn and pull only when released by key** – Key removable only when locked.

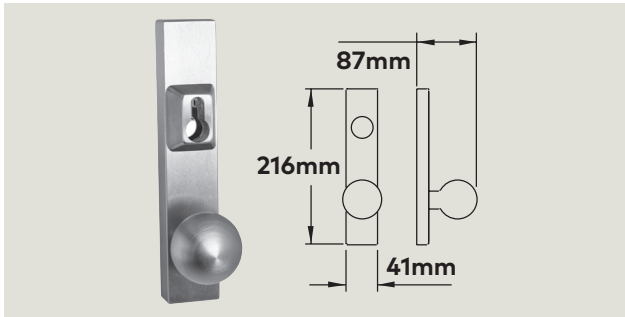
### ZO11/ZO12



**Function 11-Entrance by thumbturn and pull** – Key locks or unlocks thumbturn.

**Function 12-Entrance by thumbturn and pull only when released by key** – Key removable only when locked.

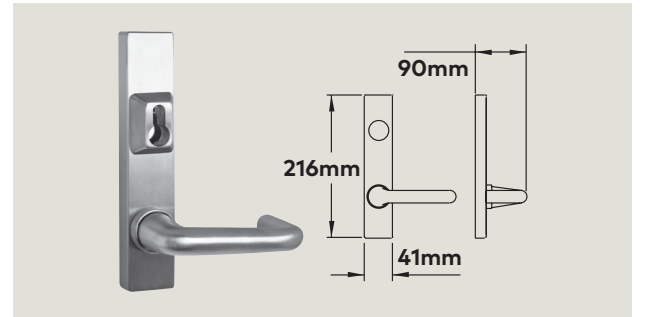
### ZK08/ZK09



**Function 08-Lockable Knob** – Key locks or unlocks knob which retracts latchbolt.

**Function 09-Lockable Knob** – Same as 08 function but key removable only when locked.

### ZT08/ZT09

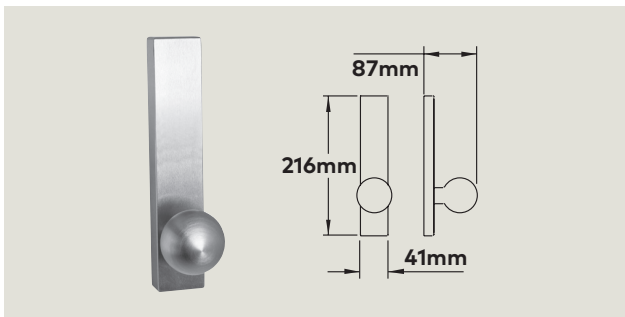


**Function 08-Lockable Lever** – Key locks or unlocks lever which retracts latchbolt.

**Function 09-Lockable Lever** – Same as 08 function but key removable only when locked.

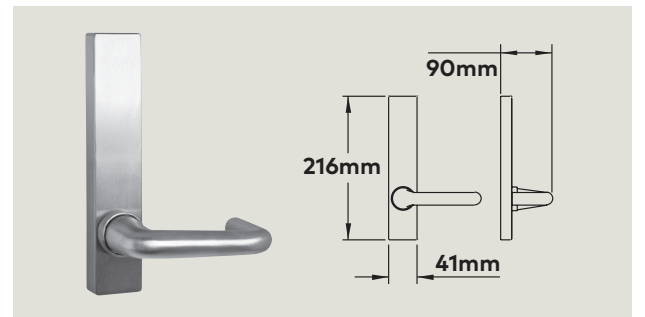
**Note:** Both 08 and 09 functions are provided with each knob or lever set and the choice of function is determined at installation by assembling the appropriate locking tab on the trim.

### ZK23



**Function 23-Active Knob** – Knob retracts latchbolt, always unlocked.

### ZT23

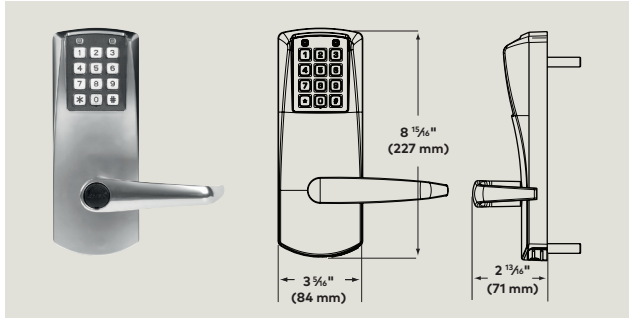


**Function 23-Active Lever** – Lever retracts latchbolt, always unlocked.

## Outside entry functions and pushbutton operated trims

9000 Series panic devices are available with a variety of outside entry functions and operating trim, including knob and lever sets. Mechanical and electronic pushbutton locks eliminate problems and costs associated with issuing, controlling, and collecting keys and cards. Please note that for pushbutton locks, the 9000 series wide stile exit devices are required.

### PowerPlex 2000

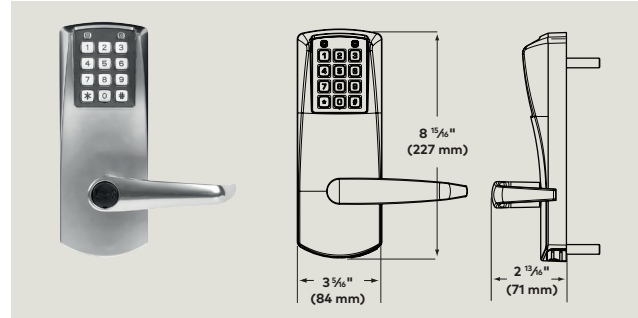


Exterior access by Valid pin code, while allowing free egress. Up to 100 access pin codes programmed via keypad or with optional Microsoft Excel-based software. Non-handed, Self powered (environmentally friendly), key override. CE marked to EN1125 with exit devices 9300/9400

PowerPlex based on the PowerStar technology, utilizes new capacitor technology to store power longer and more efficiently, pressing the first button of your code wakes up the lock.

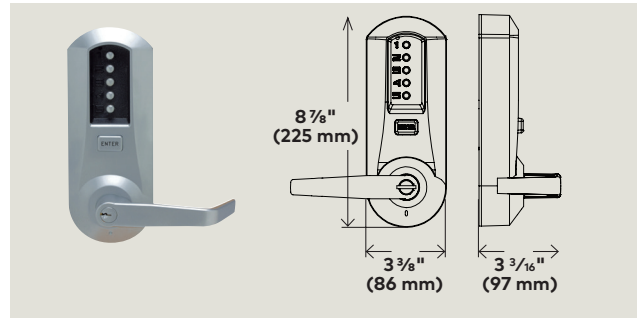
- No batteries to replace saves money and helps the environment
- Provides lower cost of ownership- no ongoing costs
- Easy to install, use and maintain

### E-Plex 2000



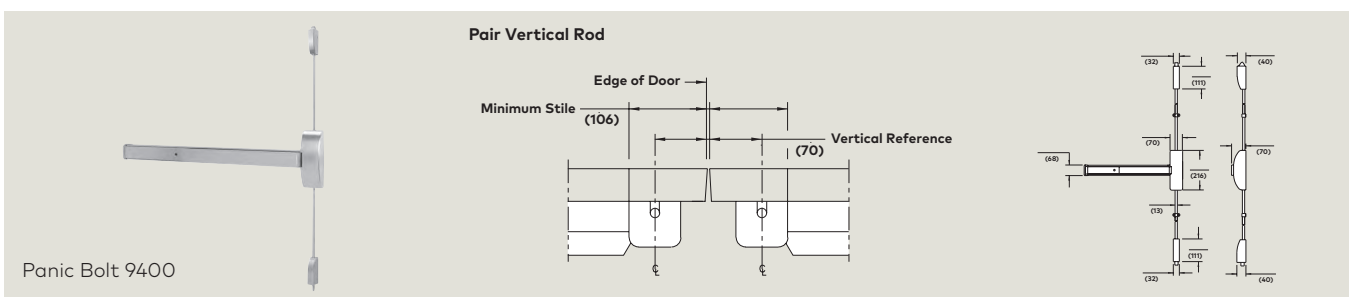
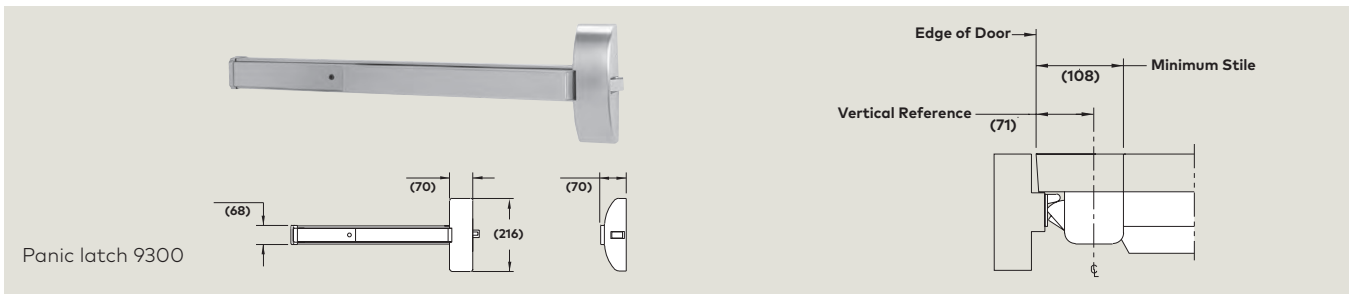
Exterior access by Valid pin code, while allowing free egress. Up to 100 access pin codes programmed via keypad or with optional Microsoft Excel-based software. Non-handed, Battery powered, key override. CE marked to EN1125 with exit devices 9300/9400

### Simplex 5000



Exterior access by Valid pin code, while allowing free egress. One access pin code programmed via keypad. Non-handed, mechanical lock, key override. CE marked to EN1125 with exit devices 9300/9400

## Wide stile exit devices



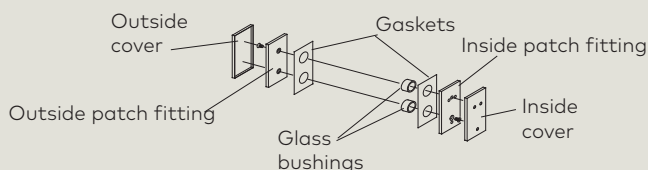
## TGD glass kits

- Suitable for 10-15mm thick Glass
- Stainless Steel Finish Only
- 9800TGDZODT630 Stainless Steel Glass Door Kit with ZODT Blank External Plate

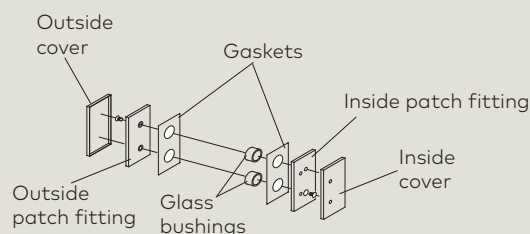
### For external operation add

- ZT08630TGD Stainless Steel Lever Handle for Glass Doors
- ZK08630TGD Stainless Steel Knob for Glass Doors

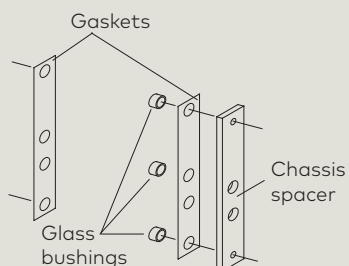
## Glass patch fitting parts



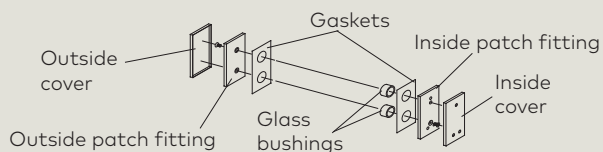
**Top bolt patch fitting assembly, mounting screws provided with patch fitting.**



**End cap fitting assembly, mounting screws provided with patch fitting.**

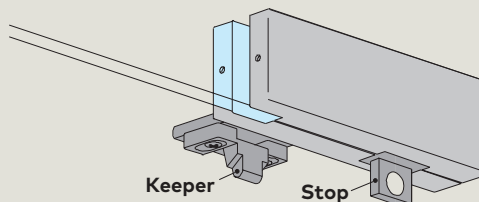


**Chassis patch fitting assembly mounting screws provided with chassis assembly outside trim required.**



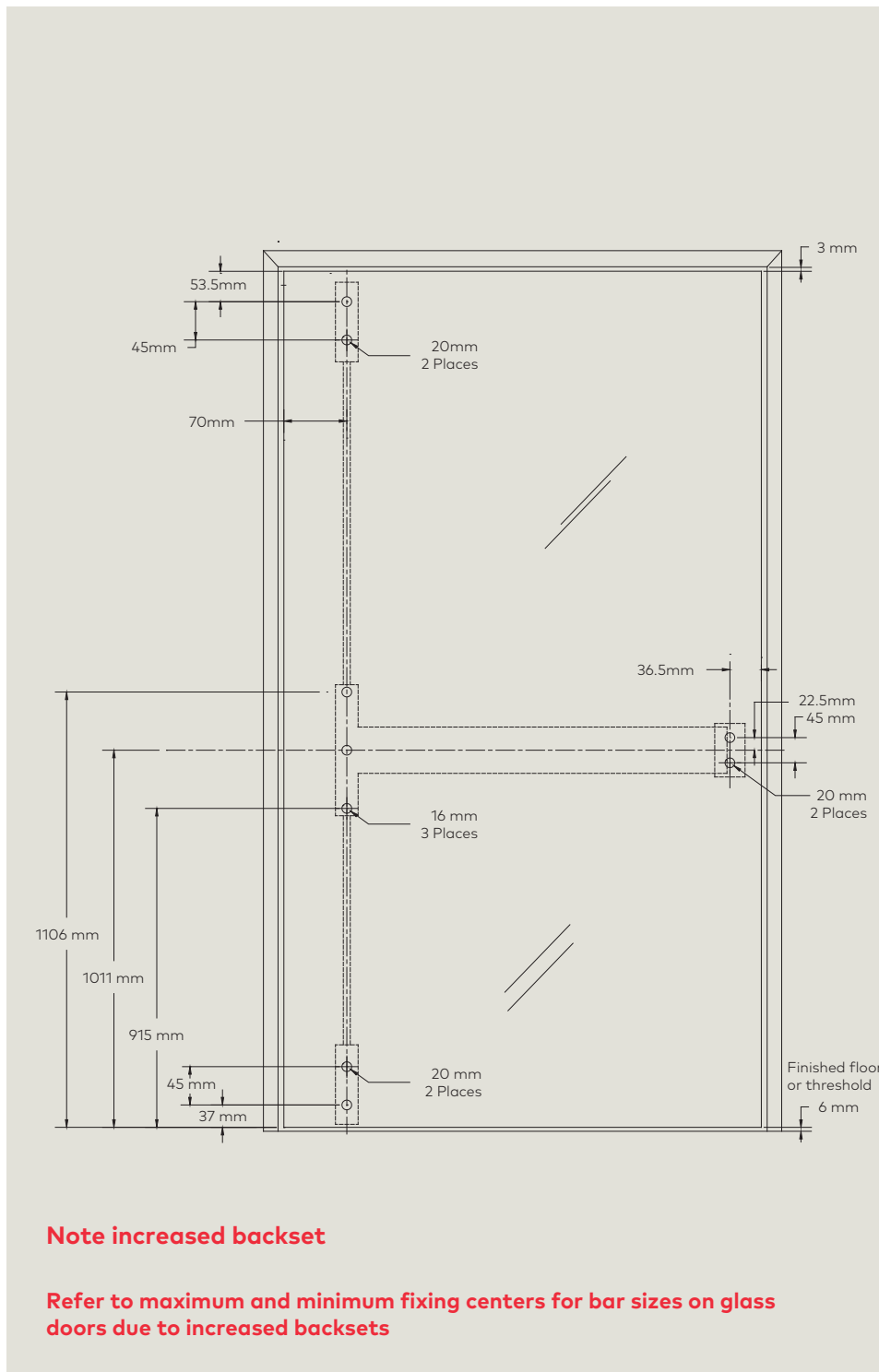
**Bottom bolt patch fitting assembly, mounting Screws provided with patch fitting.**

**Keeper Fitting PT30SPL**  
Used when the opening has a glass transom above the door. (optional)



**Note: Patch fitting torque of no more than 12Nm for attachment to glass door.**

# Glass preparation







## Specifications

9700 rim panic latch with heavy duty, full door width touchbar, deadlocking stainless steel latchbolt, and hex key dogging.

9800 surface panic bolt with heavy duty, full door width touchbar, top deadlocking pullman type latchbolt, bottom slide bolt, and hex key dogging.

9600 concealed panic bolt with heavy duty full door width touchbar, top deadlocking pullman type latchbolt, bottom slide bolt, and hex key dogging.

9300 wide stile rim panic latch with heavy duty, full door width touchbar, deadlocking stainless steel latchbolt, and hex key dogging. Wide stile for use with pushbutton operating trims.

9400 wide stile surface panic bolt with heavy duty, full door width touchbar, top deadlocking pullman type latchbolt, bottom slide bolt, and hex key dogging. Wide stile for use with pushbutton operating trims.

### Options

CD Cylinder Dogging

LD Less Dogging

ES Electric Latchbolt Retraction

MS Monitor Switch in Touchbar

LM Latchbolt Monitor

BPAR Battery Alarm Device  
(time-limited alarm)

BPA Battery Alarm Device  
(continuous alarm)

DWA Battery Alarm Device  
(direct wired)

P Clear Powder Coat  
(anti-corrosive)

M Anti-microbial Protected  
Coating

## Finishes description

### 9000 series panic device and outside trim

#### Standard finishes

##### Designation

605

625

630

##### Panic Device

Polished, lacquered brass

Polished chrome

Satin stainless steel

##### Outside Trim

Polished, lacquered brass

Polished chrome

Knob/Lever: Satin stainless steel

Escutcheon: Satin nickel

#### Optional finishes

##### Designation

606

611

612

613

##### Panic Device

Satin, lacquered brass

Polished, lacquered brass

Satin, lacquered bronze

Satin, dark oxidised, oil rubbed  
bronze

##### Outside Trim

Satin, lacquered brass

Polished bronze

Satin bronze

Satin, dark oxidised, oil rubbed  
bronze

## Keypad locking trim finishes

### PowerPlex 2000 series

606 Satin brass (04) Housings and levers

626 Satin Chrome (26D) Housings and levers

### E-Plex 2000 series

606 Satin brass (04) Housings and levers

626 Satin Chrome (26D) Housings and levers

744 Dark Bronze (10B) Levers with brass accents

### 5000 series

#### Standard finishes

##### Designation

626

676

##### Panic Device

Satin Chrome (26D)

Black housings with Satin Chrome  
626 (26D)

##### Outside Trim

Housings and levers

Levers and accents

#### Optional finishes

##### Designation

605

606

625

744

##### Panic Device

Bright Brass (03)

Satin brass (04)

Bright Chrome (026)

Dark Bronze

##### Outside Trim

Housings and levers

Housings and levers

Housings and levers

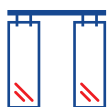
Housings and levers

# Our products



## Mechanical Key Systems

Systems that enable access rights and key control to all rooms within the premises



## Interior Glass Systems

System solutions made from glass for a wide range of everyday and office applications



## Lodging Systems

Hotel locks and locking systems as well as access management solutions for holiday homes



## Electronic Access & Data

Electronic access control and workforce management for efficient access management, security and data collection



## Door Hardware

Solutions for residential or commercial projects



## Entrance Systems

Automated access solutions for convenient access to buildings



## Safe Locks

Security locks for preventing unauthorized access to goods, valuables, information or hazardous substances



## Services

Tailor-made services and customized maintenance for long-term functional integrity of access and security solutions

