









## SVP/SVZ

Self-locking  
emergency escape  
locks

# Contents

- 03 **SVP/SVZ**  
Features and functions
- 05 **SVP for wide stile doors**  
Dimensions/assembly
- 07 **SVP for narrow stile doors**  
Dimensions/assembly
- 09 **SVP 5000**     
Panic lock with automatic locking action
- 11 **SVP 4000**     
Panic lock with automatic locking action,  
electrically monitored
- 13 **SVP 6000**     
Panic switch lock with automatic locking  
action and split follower
- 17 **SVZ 6000**   
Access control lock with automatic locking  
action
- 19 **SVP 2000 DCW®**     
Emergency-escape lock with automatic  
motorised locking action
- 23 **Further accessories**
- **SVP-S**  
Motor lock control units
  - **SVP-S4x DCW®**     
Motor lock control unit
- 25 **SVP/SVZ**  
Further accessories

DCW® = DORMAKABA CONNECT AND WORK

# SVP/SVZ – Locks with automatic locking action

**Doors lock immediately after each closure as the deadbolt automatically advances – this is the clear advantage of SVP/SVZ locks with automatic locking action. At the same time, the clawbolt latch locks, facilitating free lock-out of the latch bolt and providing a “two-point locking”. The panic function of the SVP locks ensures that the door can be easily opened at any time from the inside by simply operating the lever handle.**

## The programme includes 5 model series:

### **SVP 5000**

A purely mechanical lock with a panic function

### **SVP 4000**

An electrically-monitored panic lock with integrated manipulation-protected detectors for monitoring latches, cylinders, handles and latch bolts.

### **SVP 6000**

An electrically-monitored panic lock with a split follower for the electrical engagement/disengagement the outside handle and manipulation-protected detectors

### **SVZ 6000**

Access control lock just like the SVP 6000 but without a panic function

### **SVP 2000 DCW®**

Motor lock with manipulation-protected detectors and sequential control for the highest security

## Benefits – point by point

- Automatic and immediate locking of doors after each closure.
- Insurance-compliant locking with 20 mm deadbolt projection
- Two-point locking via deadbolt and engagement of the clawbolt latch
- The panic function allows you to open the door in the escape direction at any time by operating the lever handle (not SVZ)
- Can be used on wide and narrow stile doors, for profile and profile round cylinders
- 24 mm forend width, use in DIN-L/DIN-R
- Corrosion-protected lock case
- Forend and strike plate made of stainless steel. Strike plate is included in shipment.

### Certificate of suitability

The SVP/SVZ locks with automatic locking action have been approved and quality-tested by the notified body MPA in Dortmund.

Suitable for Fire Doors  
Please check certification for verification and suitability of the Fire Door type Certifire Approved CF5432



The SVP locks in combination with lever handles and panic bars from various manufacturers have been certified according to EN 179 "Emergency exit devices operated by a lever handle or push pad" and EN 1125 "Panic exit devices operated by a horizontal bar", and therefore carry the CE mark of conformity.

### Version EN 179 + EN 1125

SVP/SVZ features	SVP 5xxx	SVP 4xxx	SVP 6xxx	SVZ 6xxx	SVP 2000 DCW®
Mechanical lock	●	●	–	–	–
Lever handle-controlled lock	–	–	●	●	–
Motor lock	–	–	–	–	●
Access control lock	–	–	–	●	–
Panic function:	●	●	●	–	●
Mechanical self-locking	●	●	●	●	●
Mechanical process control	●	●	●	●	●
Two-point locking	●	●	●	●	●
Sabotage line	–	●	●	●	●
Deadbolt monitoring	–	●	●	●	●
Signalling of handle operation/emergency unlocking	–	●	●	●	●
Door-open monitoring via trigger	–	●	●	●	●
cylinder contact	–	●	●	●	●
Outside handle electrically engageable/disengageable	–	–	●	●	–
Electrical motorised unlocking	–	–	–	–	●
Adjustable unlocking time	–	–	–	–	●
Permanent external access is possible (permanent open)	–	–	●	●	–
Automatic locking function can be electrically turned off (permanent open) <sup>2)</sup>	–	–	–	–	●
Automatic switching off of permanent open/permanent door release if there is a power failure	–	–	●	●	○ <sup>1)</sup>
Electronic sequential control (anti-tamper protection)	–	–	–	–	●
Automatic reset of the enabling when the door fails to open	–	–	●	●	●
Approval in accordance with EN 179	●	●	●	–	●
Approval in accordance with EN 1125	●	●	●	–	●

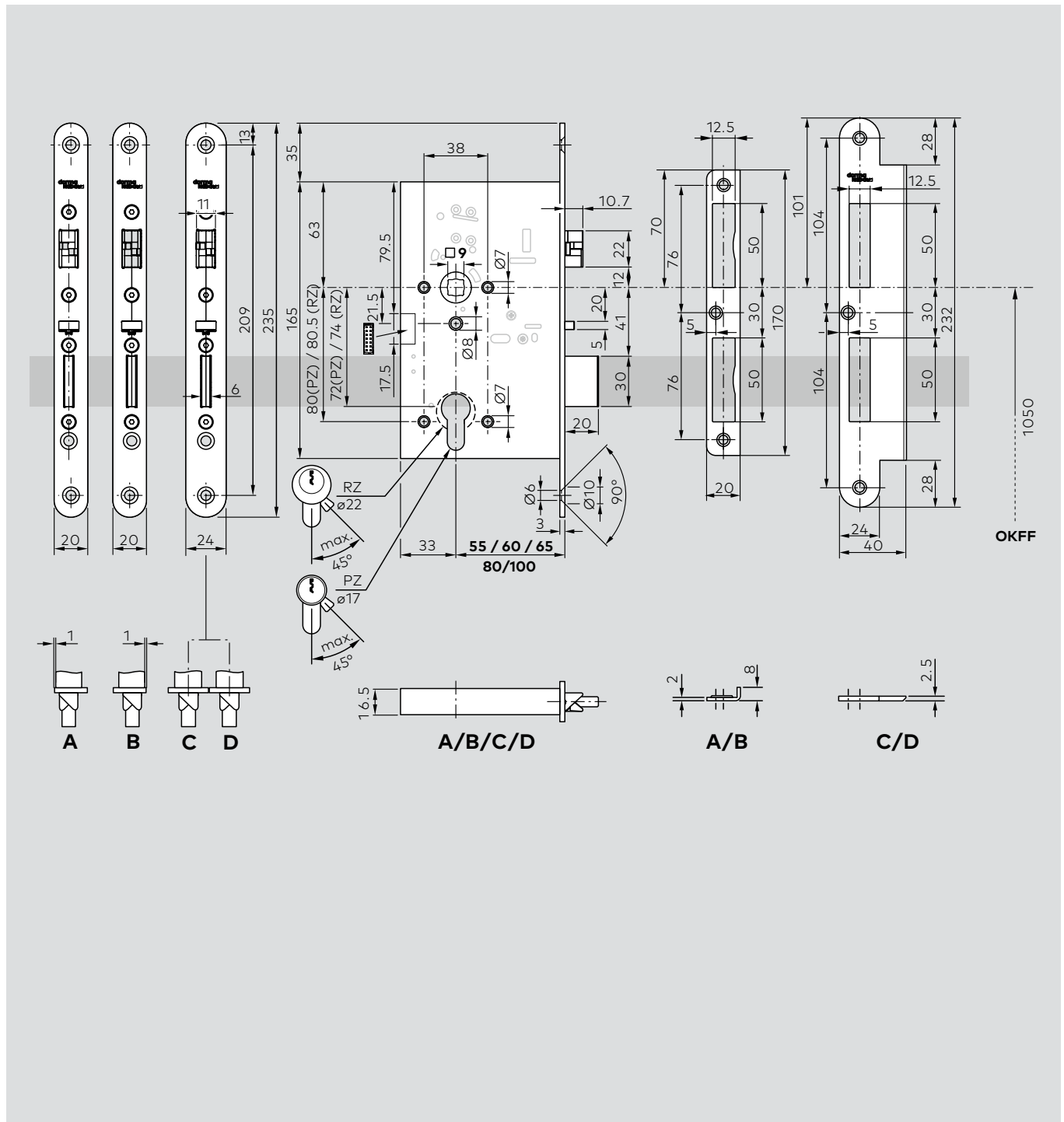
● = yes – = no ○ = optional

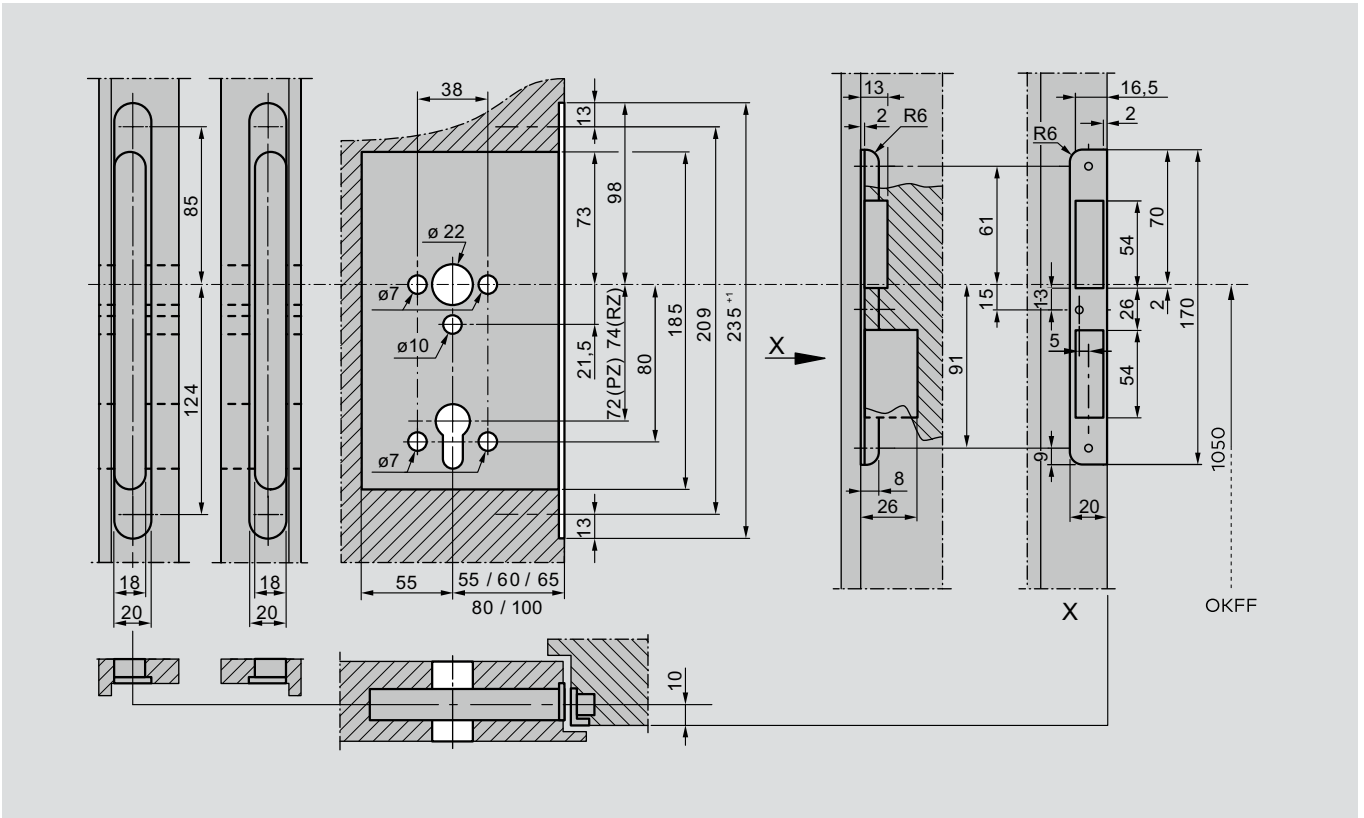
<sup>1)</sup> In combination with the PR module

## SVP 2000 DCW®/4000/5000/6000 for wide stile doors

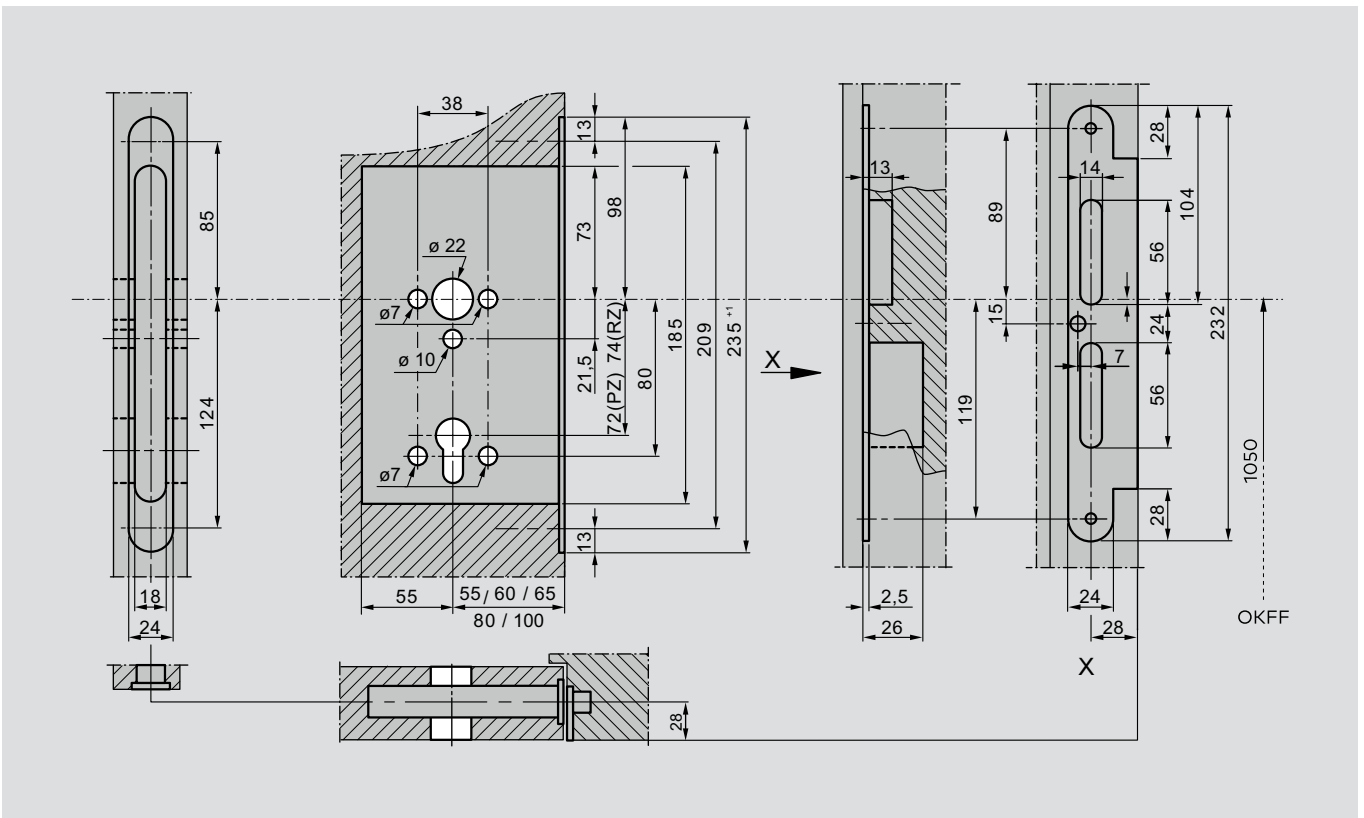
Note UK & Irish Lock Variants:

- Locks for flush closing doors in 60mm & 65mm backsets with PZ profiles .
- Other wide stile lock variants on application.



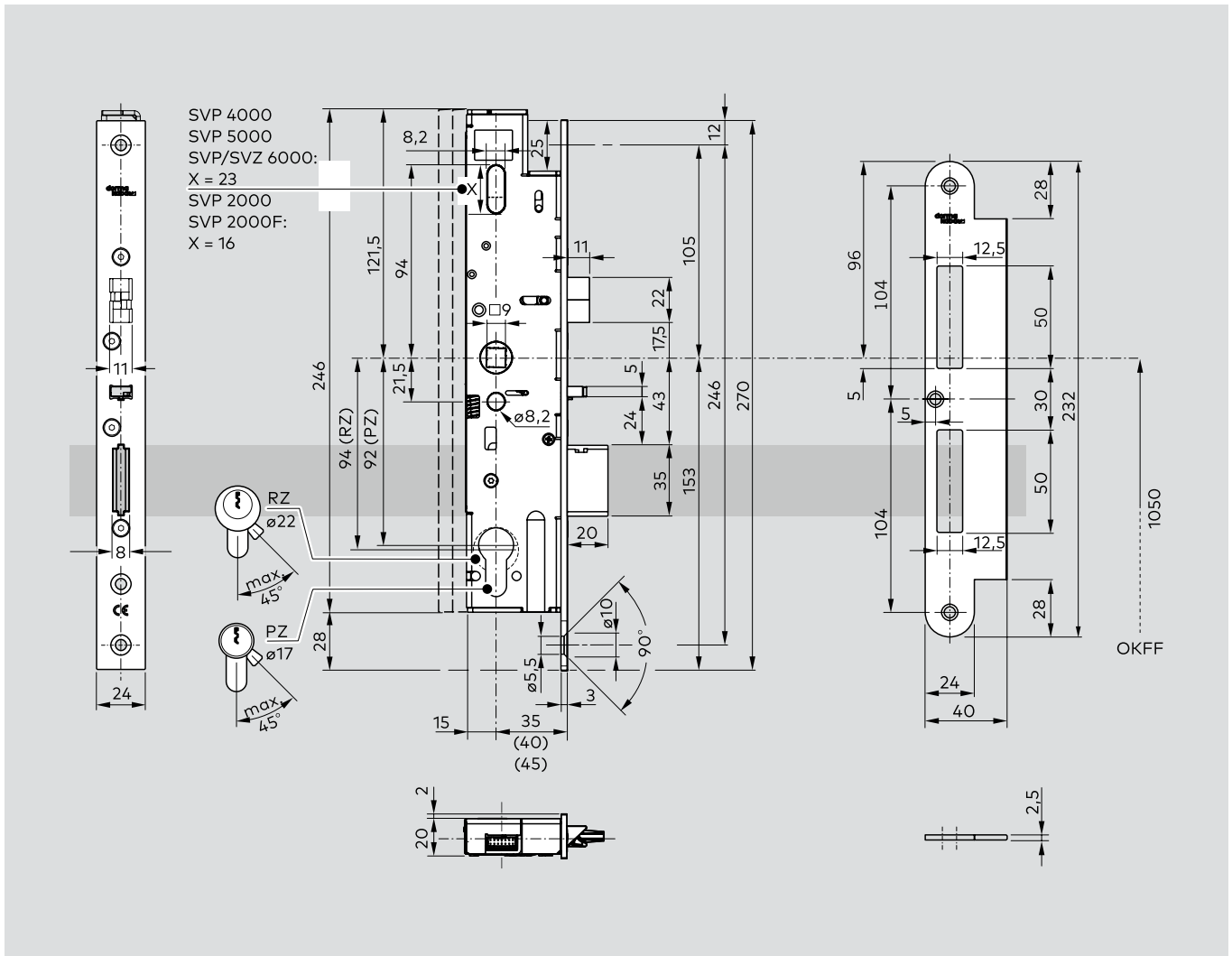


Rebated door



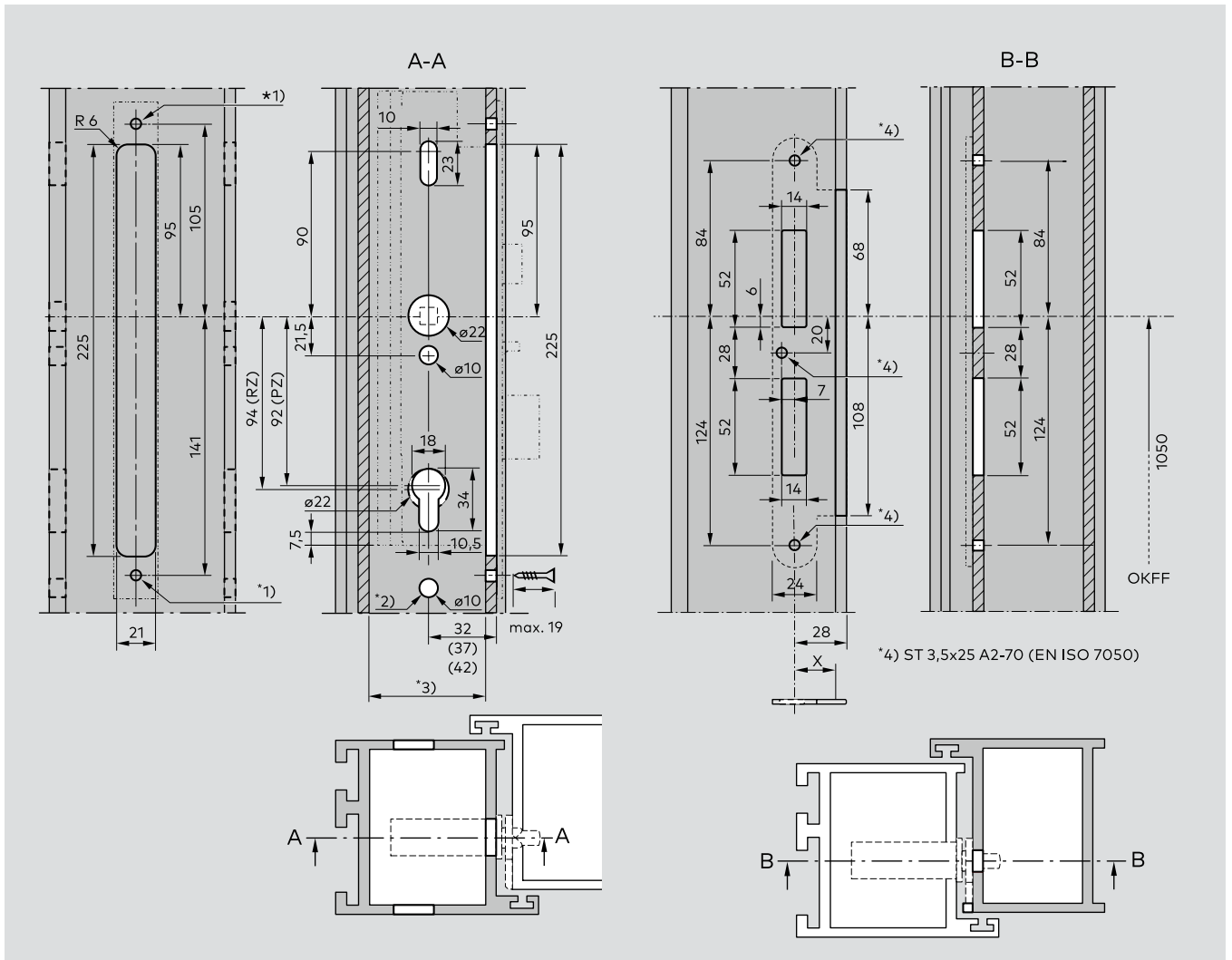
Non-rebated door

## SVP 2000 DCW®/4000/5000/6000 for narrow stile doors



Note UK & Irish Lock Variants:

- Locks for flush closing doors in 35mm, 40mm & 45mm backsets with PZ profiles.
- Other narrow stile lock variants on application.





## SVP 5000 – emergency-escape lock with automatic locking action

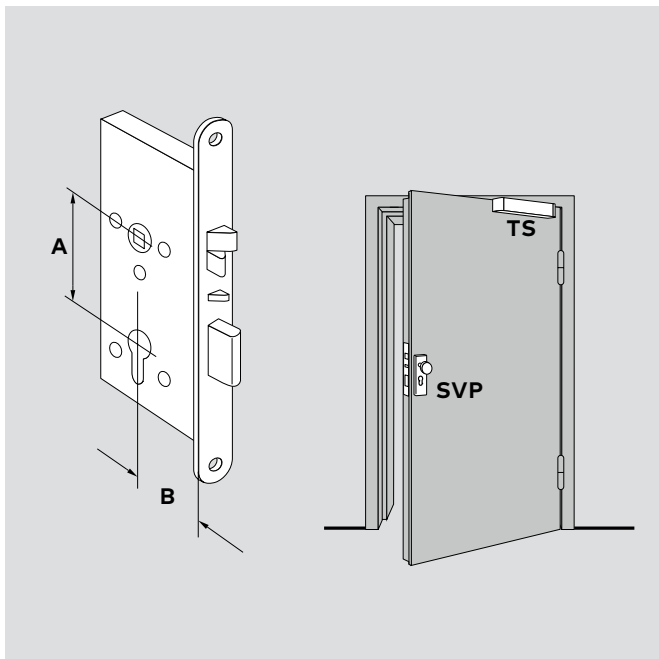
### SVP 5xxx



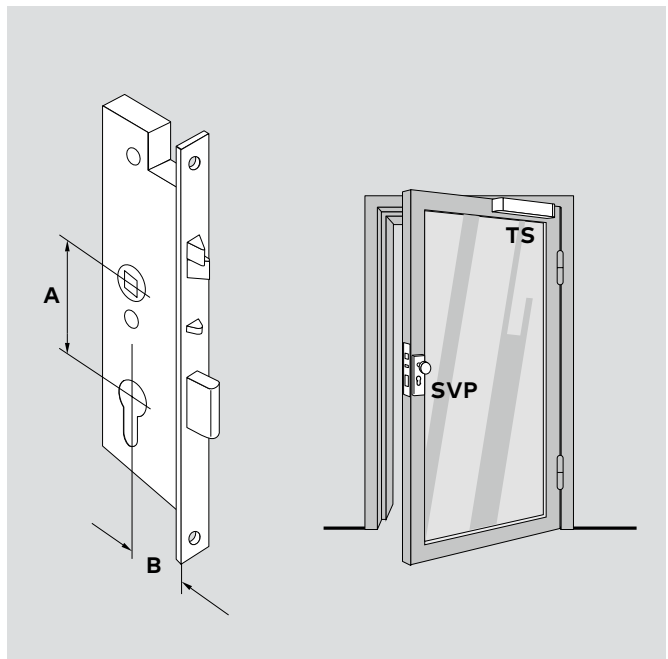
Panic lock with automatic locking action and mechanical sequential control. Two-point locking activated by pre-loaded spring when door closes. Non-handed trigger (24 mm forend versions can be used DIN L/R), panic unlocking via lever handle, change to unlocking function with key access from the outside. Steel bolt, projection 20 mm. 9 mm square-section follower. Corrosion-protected lock case in DIN dimensions, complete with forend and strike plate in stainless steel, included in delivery. Certified in accordance with EN 179 and EN 1125 for use with panic door fittings and certified according to EN 12209, featuring standards as eg durability, corrosion and temperature resistance and security level. Certifire approved CF5432 - please refer to certificate for details of the specific door type and locks approved.

#### Installation:

- PC pierced
- RC pierced
- Rebated door (forend 235 x 20 mm, angled strike plate)
- Non-rebated door (forend 235 x 24 mm, lipped strike plate)
- Narrow stile door (forend 270 x 24 mm, lipped strike plate)



SVP 52xx/SVP 53xx



SVP 57xx/SVP 58xx

**SVP 5xxx for wide stile doors**

Lock cylinder	Door type	Distance A	Backset B	DIN	Type	Article no.			
PC	Non-rebated door Forend: 235 x 20 (for France only)	70	50	L	SVP 5241	70524100			
				R	SVP 5242	70524200			
	Non-rebated door Forend: 235 x 24 (for France only)	70	50	L/R	SVP 5247	70524700			
PC	Rebated door Forend: 235 x 20	72	55	L	SVP 5251	70525100			
				R	SVP 5252	70525200			
			60	L	SVP 5261	70526100			
				R	SVP 5262	70526200			
			65	L	SVP 5271	70527100			
				R	SVP 5272	70527200			
			80	L	SVP 5281	70528100			
				R	SVP 5282	70528200			
			100	L	SVP 5291	70529100			
				R	SVP 5292	70529200			
			Non-rebated door Forend: 235 x 24	72	55	L/R	SVP 5257	70525700	
						60	L/R	SVP 5267	70526700
						65	L/R	SVP 5277	70527700
						80	L/R	SVP 5287	70528700
100	L/R	SVP 5297				70529700			
RC	Rebated door Forend: 235 x 20	74	60	L	SVP 5361	70536100			
				R	SVP 5362	70536200			
			65	L	SVP 5371	70537100			
				R	SVP 5372	70537200			
			80	L	SVP 5381	70538100			
				R	SVP 5382	70538200			
			100	L	SVP 5391	70539100			
				R	SVP 5392	70539200			
			Non-rebated door Forend: 235 x 24	74	60	L/R	SVP 5367	70536700	
						65	L/R	SVP 5377	70537700
						80	L/R	SVP 5387	70538700
						100	L/R	SVP 5397	70539700

**SVP 5xxx for narrow stile doors**

Lock cylinder	Door type	Distance A	Backset B	DIN	Type	Article no.
PC	Narrow stile door Forend:	92	35	Universal	SVP 5719	70571900
			40	Universal	SVP 5729	70572900
			45	Universal	SVP 5739	70573900
RC		94	35	Universal	SVP 5819	70581900
			40	Universal	SVP 5829	70582900
			45	Universal	SVP 5839	70583900

All dimension data in millimetres (mm)

PC European profile cylinder RC Profile round cylinder L DIN-L R DIN-R

## SVP 4000 – Panic lock with automatic locking action and electronic status monitoring

### SVP 4xxx



Panic lock with automatic locking action, electric monitoring and mechanical sequential control. With status monitoring for detecting "locked" (> 90%), "unlocked" (< 10% of the latch bolt path), "door open/closed" (via trigger) as well as "handle operation/emergency unlocking" and "cylinder contact". Maximum load current: 30 V DC, 100 mA. Two-point locking activated by pre-loaded spring when door closes. Non-handed trigger (24 mm forend versions can be used DIN L/R). Emergency unlocking by lever handle, change to unlocking function with key access from the outside. Steel bolt, projection 20 mm. 9 mm square-section follower Corrosion-protected lock case in DIN dimensions, complete with forend and strike plate in stainless steel, included in delivery. Certified in accordance with EN 179 and EN 1125 for use with panic door fittings and certified according to EN 12209, featuring standards as eg durability, corrosion and temperature resistance and security level. Certifire approved CF5432 - please refer to certificate for details of the specific door type & locks approved.

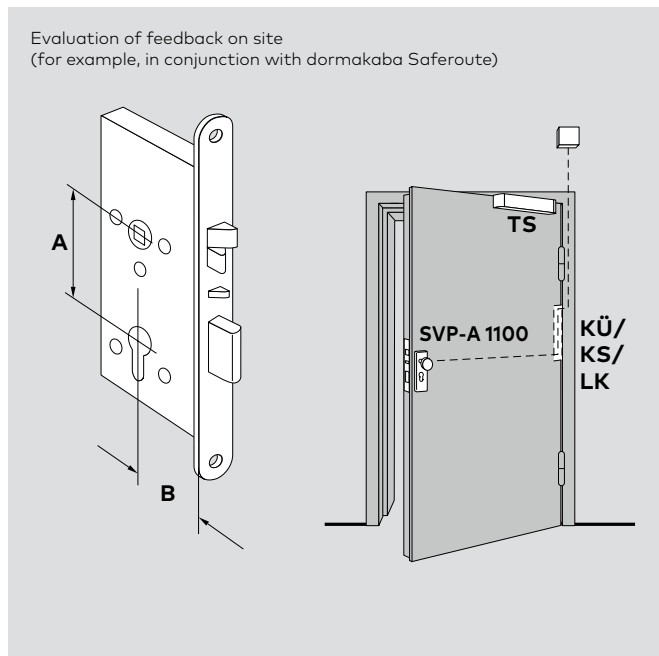
### Installation:

- PCpierced
- RC pierced
- Rebated door (forend 235 x 20 mm, angled strike plate)
- Non-rebateddoor (forend 235 x 24 mm, lipped strike plate)
- Narrow stile door (forend 270 x 24 mm, lipped strike plate)

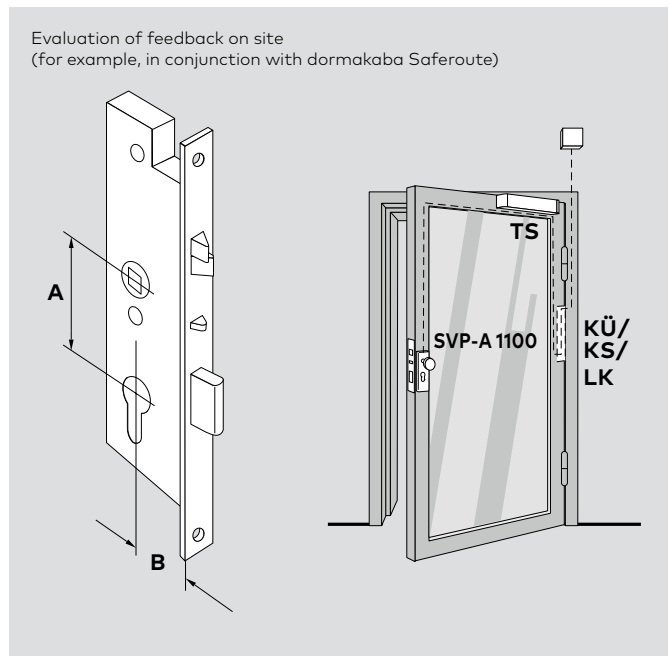
### Required accessories

(to be ordered separately):

- dormakaba SVP-A connection cable
- dormakaba cable transition/cable loop



SVP 42xx/SVP 43xx



SVP 47xx/SVP 48xx

SVP 4xxx for wide stile doors								
Lock cylinder	Door type	Distance A	Backset B	DIN	Type	Article no.		
PC	Non-rebated door Forend: 235 x 20 (for France only)	70	50	L	SVP 4241	70424100		
				R	SVP 4242	70424200		
	Non-rebated door Forend: 235 x 24 (for France only)	70	50	L/R	SVP 4247	70424700		
	Rebated door Forend: 235 x 20	72	55	L	SVP 4251	70425100		
				R	SVP 4252	70425200		
				60	L	SVP 4261	70426100	
				R	SVP 4262	70426200		
				65	L	SVP 4271	70427100	
				R	SVP 4272	70427200		
				80	L	SVP 4281	70428100	
				R	SVP 4282	70428200		
				100	L	SVP 4291	70429100	
				R	SVP 4292	70429200		
	Non-rebated door Forend: 235 x 24	72	55	L/R	SVP 4257	70425700		
				60	L/R	SVP 4267	70426700	
				65	L/R	SVP 4277	70427700	
				80	L/R	SVP 4287	70428700	
				100	L/R	SVP 4297	70429700	
RC	Rebated door Forend: 235 x 20	74	60	L	SVP 4361	70436100		
					R	SVP 4362	70436200	
					65	L	SVP 4371	70437100
					R	SVP 4372	70437200	
					80	L	SVP 4381	70438100
					R	SVP 4382	70438200	
					100	L	SVP 4391	70439100
		R	SVP 4392	70439200				
		Non-rebated door Forend: 235 x 24		60	L/R	SVP 4367	70436700	
					65	L/R	SVP 4377	70437700
					80	L/R	SVP 4387	70438700
					100	L/R	SVP 4397	70439700

SVP 4xxx for narrow stile doors						
Lock cylinder	Door type	Distance A	Backset B	DIN	Type	Article no.
PC	Narrow stile door Forend:	92	35	Universal	SVP 4719	70471900
			40	Universal	SVP 4729	70472900
			45	Universal	SVP 4739	70473900
RC		94	35	Universal	SVP 4819	70481900
			40	Universal	SVP 4829	70482900
			45	Universal	SVP 4839	70483900

All dimension data in millimetres (mm)

PC Profile cylinder RC Profile round cylinder L DIN-L R DIN-R

#### Wiring layout

SVP-A Cable colours	Function
sw = black	free
br = brown	"Trigger engaged", NC
rs/gr = pink/grey	"SVP unlocked", NO
rt = red	free
ws = white	free
ge = yellow	"SVP unlocked" and "Trigger engaged" and cylinder actuated/lock open, C
gn = green	Cylinder actuated, NO
gr = grey	Sabotage line
rs = pink	Sabotage line
rt/bl = red/blue	"SVP locked", NC
bl = blue	"Handle operated", NO
vi = purple	"SVP locked" and "Handle operated", C

## SVP 6000 – switch-monitored panic lock with automatic locking action

### SVP 6xxx



Panic switch lock with automatic locking action, versions for narrow stile (67xx/68xx) or wide stile doors (62xx/63xx), electrically monitored, with split follower, electrically-activated outside handle and mechanical sequential control. With status monitoring for detecting "locked" (> 90%), "unlocked" (< 10% of the latch bolt path), "door open/closed" (via trigger) as well as "handle operation/emergency unlocking" and "cylinder contact".

When there is no power, the outside handles are disengaged (fail secure) or engaged (fail safe). The outside handle is engaged or disengaged by activating the solenoid (for example, via the access control system). The lever handle is always engaged in the direction of escape. Activation of the outside handle is effected via a GND contact by means of a potential-free NO (operating current) or NC (closed-circuit current). Permanently open mode possible (permanent engagement of outside handle, e.g. for daytime mode). Two-point locking activated by pre-loaded spring when door closes. Non-handed trigger (24 mm forend versions can be used DIN L/R). Unlocking from the outside using key or engaged outside handle.

Steel bolt, projection 20 mm. Split 9 mm square-section follower. Corrosion-protected lock case in DIN dimensions, complete with forend and strike plate in stainless steel, included in delivery. Power input: max. 0.4 A, maximum load current 30 V DC, 100 mA.

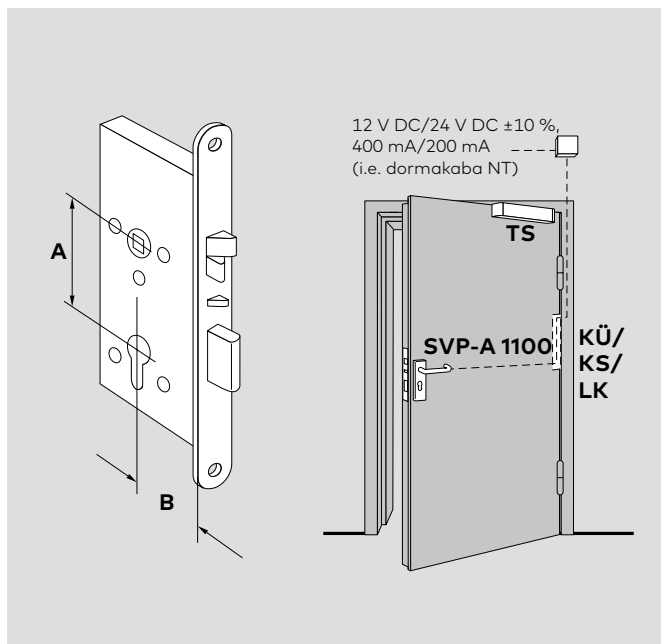
### SVP 67xx/68xx

SVP 6000 version for narrow stile doors. Operating current (fail secure) version or closed-circuit current (fail safe) version. Connection universal to 12 V DC/24 V DC (stabilised) without previous change-over. Certified in accordance with EN 179 and EN 1125 for use with panic door fittings and EN 14846.

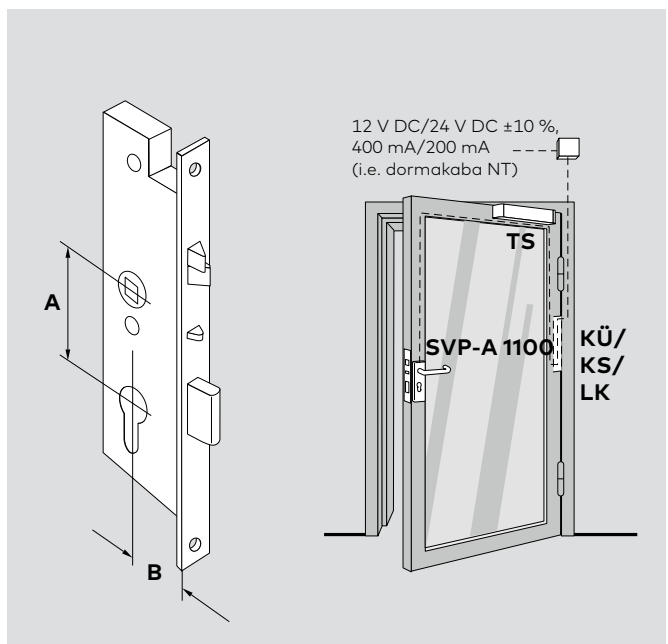
### SVP 62xx/63xx

SVP 6000 version for wide stile doors. Operating or closed-circuit operation universally adjustable at the lock. Connection universal to 12 V DC/24 V DC (stabilised) without previous change-over. Certified in accordance with EN 179 and EN 1125 for use with panic door fittings and certified according to EN 14846, featuring standards as eg durability, temperature resistance and security level.

Certifire approved CF5432 - please refer to certificate for details of the specific door type & locks approved.



SVP 62xx/SVP 63xx



SVP 67xx/SVP 68xx

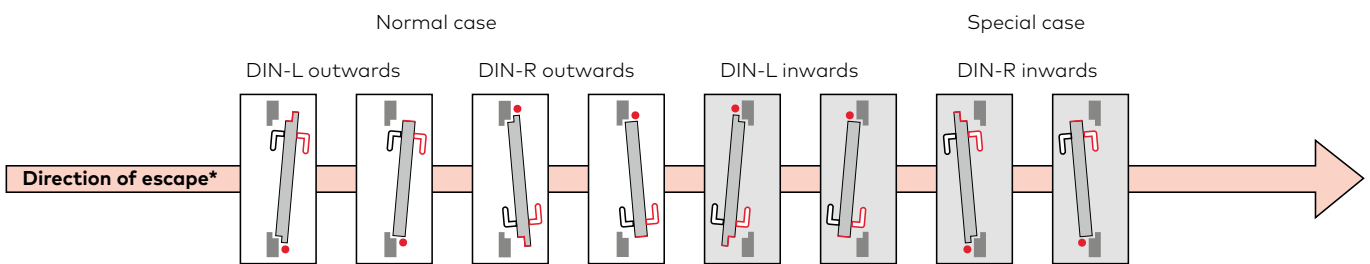
**Installation:**

- PCpierced
- RC pierced
- Rebated door (forend 235 x 20 mm, angled strike plate)
- Non-rebated door (forend 235 x 24 mm, lipped strike plate)
- Narrow stile door (forend 270 x 24 mm, lipped strike plate)
- Closed-circuit current (fail safe) (only with the narrow stile door, wide stile door variant is adjustable)
- Operating current (fail secure) (only with the narrow stile door, wide stile door variant is adjustable)

**Required accessories**

(to be ordered separately):

- dormakaba SVP-A connection cable
- dormakaba cable transition/cable loop
- dormakaba NT power supply unit



- Lever handle permanently engaged in the direction of escape
  - Lever handle can be electrically engaged against the direction of escape
- \*Can always be opened in the direction of escape

**Wiring layout**

**SVP-A cable colours**

**SVP 6xxx function**

sw = black	GND
br = brown	"Trigger engaged", NC
rs/gr = pink/grey	"SVP unlocked", NO
rt = red	Lever handle engaged via GND contact Operating current = NO/Closed-circuit current = NC
ws = white	+12 V DC or +24 V DC (stabilised)
ge = yellow	"SVP unlocked" and "Trigger engaged" and cylinder actuated/lock open, C
gn = green	Cylinder actuated, NO
gr = grey	Sabotage line
rs = pink	Sabotage line
rt/bl = red/blue	"SVP locked", NC
bl = blue	"Handle operated", NO
vi = purple	"SVP locked" and "Handle operated", C

## SVP 6000 – switch-monitored panic lock with automatic locking action

SVP 6xxx for wide stile doors								
Lock cylinder	Door type	Distance A	Backset B	Opening	DIN	Type	Article no.	
PC	Non-rebated door Forend: 235 x 20 (for France only)	70	50	Outwards	L	SVP 6241	70624100	
					R	SVP 6242	70624200	
				Inwards	L	SVP 6243	70624300	
					R	SVP 6244	70624400	
	Non-rebated door Forend: 235 x 24 (for France only)	70	50	Outwards/inwards	L/R	SVP 6247	70624700	
				Inwards/outwards	L/R	SVP 6248	70624800	
	Rebated door Forend: 235 x 20	72	55	Outwards	L	SVP6251	70625100	
					R	SVP6252	70625200	
				Inwards	L	SVP6253	70625300	
					R	SVP6254	70625400	
				60	Outwards	L	SVP6261	70626100
						R	SVP6262	70626200
	Inwards	L	SVP6263	70626300				
		R	SVP6264	70626400				
	65	Outwards	L	SVP6271	70627100			
			R	SVP6272	70627200			
			Inwards	L	SVP6273	70627300		
	R	SVP6274		70627400				
	80	Outwards	L	SVP 6281	70628100			
			R	SVP 6282	70628200			
			Inwards	L	SVP 6283	70628300		
	R	SVP 6284		70628400				
	100	Outwards	L	SVP 6291	70629100			
			R	SVP 6292	70629200			
Inwards			L	SVP 6293	70629300			
			R	SVP 6294	70629400			
Non-rebated door Forend: 235 x 24	72	55	Outwards/inwards	L/R	SVP6257	70625700		
			Inwards/outwards	L/R	SVP6258	70625800		
	60	Outwards/inwards	L/R	SVP6267	70626700			
			Inwards/outwards	L/R	SVP6268	70626800		
	65	Outwards/inwards	L/R	SVP6277	70627700			
			Inwards/outwards	L/R	SVP6278	70627800		
	80	Outwards/inwards	L/R	SVP6287	70628700			
			Inwards/outwards	L/R	SVP6288	70628800		
	100	Outwards/inwards	L/R	SVP6297	70629700			
			Inwards/outwards	L/R	SVP6298	70629800		

All versions for 12 V/24 V DC operating current (fail safe) /closed-circuit current (fail secure)

SVP 6xxx for wide stile doors							
Lock cylinder	Door type	Distance A	Backset B	Opening	DIN	Type	Article no.
RC	Rebated door Forend: 235 x 20	74	60	Outwards	L	SVP6361	70636100
					R	SVP6362	70636200
				Inwards	L	SVP6363	70636300
					R	SVP6364	70636400
			65	Outwards	L	SVP6371	70637100
					R	SVP6372	70637200
				Inwards	L	SVP6373	70637300
					R	SVP6374	70637400
			80	Outwards	L	SVP 6381	70638100
					R	SVP 6382	70638200
	Inwards	L		SVP 6383	70638300		
		R		SVP 6384	70638400		
	100	Outwards	L	SVP 6391	70639100		
			R	SVP 6392	70639200		
		Inwards	L	SVP 6393	70639300		
			R	SVP 6394	70639400		
	Non-rebated door Forend: 235 x 24	60	Outwards/inwards	L/R	SVP6367	70636700	
				L/R	SVP6368	70636800	
		65	Outwards/inwards	L/R	SVP6377	70637700	
				L/R	SVP6378	70637800	
80		Outwards/inwards	L/R	SVP6387	70638700		
			L/R	SVP6388	70638800		
100		Outwards/inwards	L/R	SVP6397	70639700		
			L/R	SVP6398	70639800		

All versions for 12 V/24 V DC operating current (fail secure) /closed-circuit current (fail safe)

SVP 6xxx for narrow stile doors										
Lock cylinder	Door type	Distance A	Backset B	Opening	DIN	Type	Article no.			
PC	Narrow stile door Forend: 270 x 24	92	35	Outwards/inwards R/L	SVP6710		706710xx			
					SVP6719		706719xx			
			40	Outwards/inwards R/L	SVP6720		706720xx			
					SVP6729		706729xx			
			45	Outwards/inwards R/L	SVP6730		706730xx			
					SVP6739		706739xx			
			RC		94	35	Outwards/inwards R/L	SVP6810		706810xx
								SVP6819		706819xx
						40	Outwards/inwards R/L	SVP6820		706820xx
								SVP6829		706829xx
45	Outwards/inwards R/L	SVP6830					706830xx			
		SVP6839					706839xx			

All dimension data in millimetres (mm)

**PC** European profile cylinder

**RC** Profile round cylinder

**xx**

00 - Operating current version (fail secure)

50 - Closed-circuit current version (fail safe)

**Note:**

In the variant with a 24 mm forend, the locks for DIN-L inwards/  
DIN-R outwards or DIN-R inwards/DIN-L outwards are identical.



## SVZ 6000 - Automatically locking access control lock

### SVZ 6xxx

**F**

Access control lock with automatic locking action, electrically monitored, with single follower, electrically-activated outside lever handle in operating current version or closed-circuit current version, and mechanical sequential control. With status monitoring for detecting "locked" (> 90%), "unlocked" (< 10% of the latch bolt path), "door open/closed" (via trigger) as well as "handle operation/emergency unlocking" and "cylinder contact". When there is no power, the lever handles are disengaged (operating current) or engaged (closed-circuit current).

By means of actuating the solenoid in the lock (e.g. via the access control system) the lever handles can be engaged or disengaged. Activation of the lever handle is effected via a GND contact by means of a potential-free NO (operating current) or NC (short-circuit current). PERMANENTLY OPEN mode possible (permanent engagement of lever handle, e.g. for daytime operation).

Connection universal to 12V DC/24V DC, power input: max. 0.4 A, maximum load current 30 V DC, 100 mA. Two-point locking activated by pre-loaded spring when door closes.

Non-handed trigger (24 mm forend versions can be used DIN L/R). Unlocking with a key or lever handle (lever handle can be engaged). Steel bolt, projection 20 mm. 9 mm square follower. Corrosion-protected lock case in DIN dimensions, complete with forend and strike plate in stainless steel, included in delivery.

Certifire approved CF5432 - please refer to certificate for details of the specific door type & locks approved.

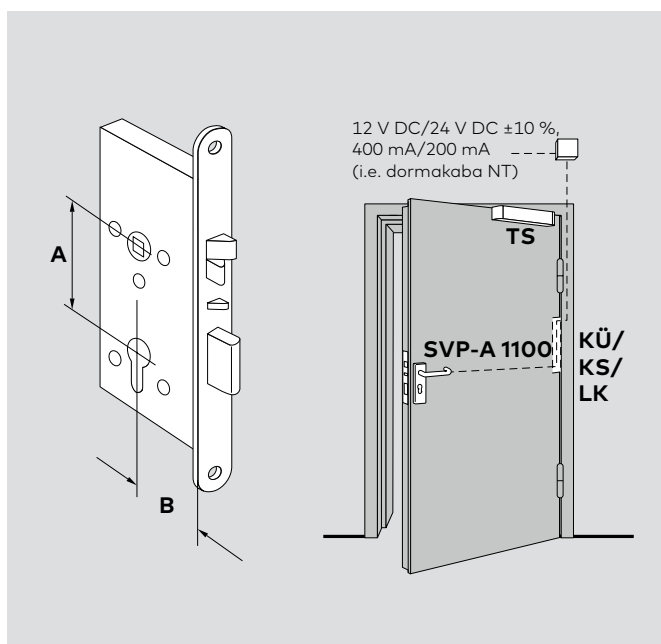
### Installation:

- PCpierced
- RC pierced
- Rebated door (forend 235 x 20 mm, angled strike plate)
- Non-rebateddoor (forend 235 x 24 mm, lipped strike plate)
- Narrow stile door (forend 270 x 24 mm, lipped strike plate)
- Closed-circuit current (fail safe) (only with the narrow stile door, wide stile door variant is adjustable)
- Operating current (fail secure) (only with the narrow stile door, wide stile door variant is adjustable)

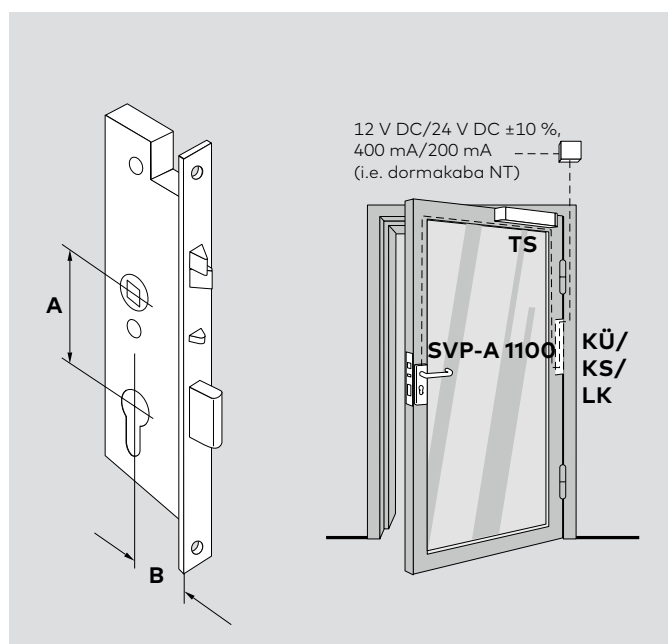
### Required accessories

(to be ordered separately):

- dormakaba SVP-A connection cable
- dormakaba cable transition/cable loop
- dormakaba NT power supply unit



SVZ 62xx/SVZ 63xx



SVZ 67xx/SVZ 68xx

**KÜ** Cable transition **KS** Cable loop **NT** Power supply unit **LK** detachable cable transfer **A** Distance **B** Backset

SVZ 6xxx for wide stile doors							
Lock cylinder	Door type	Distance A	Backset B	DIN	Type	Article no.	
PC	Non-rebated door Forend: 235 x 20 (for France only)	70	50	L	SVZ 6241	70624110	
				R	SVZ 6242	70624210	
	Non-rebated door Forend: 235 x 24 (for France only)	70	50	L/R	SVZ 6247	70624810	
				Rebated door Forend: 235 x 20	72	55	L
	R	SVZ6252	70625210				
	60	L	SVZ6261				70626110
		R	SVZ6262				70626210
		65	L				SVZ6271
	R		SVZ6272	70627210			
	Non-rebated door Forend: 235 x 24	72	55	L/R	SVZ6257/6258	70625810	
				60	L/R	SVZ6267/6268	70626810
				65	L/R	SVZ6277/6278	70627810
	RC	Rebated door Forend: 235 x 20	74	60	L	SVZ6361	70636110
					R	SVZ6362	70636210
		Non-rebated door Forend: 235 x 24	74	60	L/R	SVZ6367/6368	70636810
65					L	SVZ6371	70637110
		R	SVZ6372	70637210			
L/R		SVZ6377/6378	70637810				

All versions for +12 V/24 V DC Operating current (fail secure) / closed-circuit current (fail safe)

SVZ 6xxx for narrow stile doors						
Lock cylinder	Door type	Distance A	Backset B	DIN	Type	Article no.
PC	Narrow stile door Forend: 270 x 24	92	35	Universal	SVZ6719	706719xx
				Universal	SVZ6729	706729xx
				Universal	SVZ6739	706739xx
RC	Narrow stile door Forend: 270 x 24	94	35	Universal	SVZ6819	706819xx
				Universal	SVZ6829	706829xx
				Universal	SVZ6839	706839xx

All dimension data in millimetres (mm)

**PC** European profile cylinder

**RC** Profile round cylinder

**xx**

10 - Operating current (fail secure)

60 - Operating current (fail secure)

**Note:**

In the variant with a 24 mm forend, the locks for DIN-L inwards/DIN-R outwards or DIN-R inwards/DIN-L outwards are identical.

### Wiring layout

SVP-A cable colours	SVZ 6xxx function
sw = black	GND
br = brown	"Trigger engaged", NC
rs/gr = pink/grey	"SVP unlocked", NO
rt = red	Lever handle engaged via GND contact Operating current = NO/Closed-circuit current = NC
ws = white	+12 V DC or +24 V DC (stabilised)
ge = yellow	"SVP unlocked" and "Trigger engaged" and cylinder actuated/lock open, C
gn = green	Cylinder actuated, NO
gr = grey	Sabotage line
rs = pink	Sabotage line
rt/bl = red/blue	"SVP locked", NC
bl = blue	"Handle operated", NO
vi = purple	"SVP locked" and "Handle operated", C

## SVP 2000 DCW® – panic motor lock with automatic locking action

### SVP 2xxx DCW®

Motorised panic lock with automatic locking action and electronic sequential control. Possible operating modes: direct by pulse activation, with external control unit SVP-S 4x (for full functionality) or via DCW® bus or CAN bus to TMS, Saferoute and/or ED 100/250, visual signaling through integrated LED for the lock parameters and failure status. LED status display indicates error messages, such as incorrect operating voltage or BUS connection interrupted and more! With status monitoring for detecting "locked" (> 90%), "unlocked" (< 10% of the latch bolt path), "door open/closed" (via trigger) as well as "handle operation/emergency unlocking" and "cylinder contact". Two-point locking activated by pre-loaded spring when door closes. Universal trip latch (24 mm forend versions can be used LH or RH). Emergency unlocking using lever handle in accordance with EN 179 or panic bar in accordance with EN 1125, as well as a transmission function for unlocking from the outside using keys. Steel latch bolt 20 mm projection, 9 mm square-section follower. Corrosion-protected lock case in DIN dimensions, complete with forend and strike plate in stainless steel, included in delivery. Connection to 24 V. Certifire approved CF5432 - please refer to certificate for details of the specific door type & locks approved.

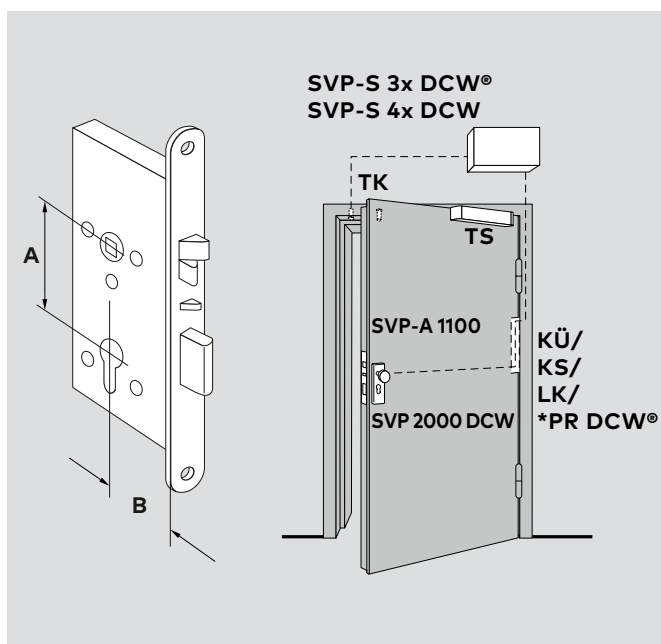
### Version

- PCpierced
- RC pierced
- Rebated door  
(forend 235 x 20 mm,  
angled strike plate)
- Non-rebateddoor  
(forend 235 x 24 mm,  
lipped strike plate)
- Narrow stile door  
(forend 270 x 24 mm,  
lipped strike plate)

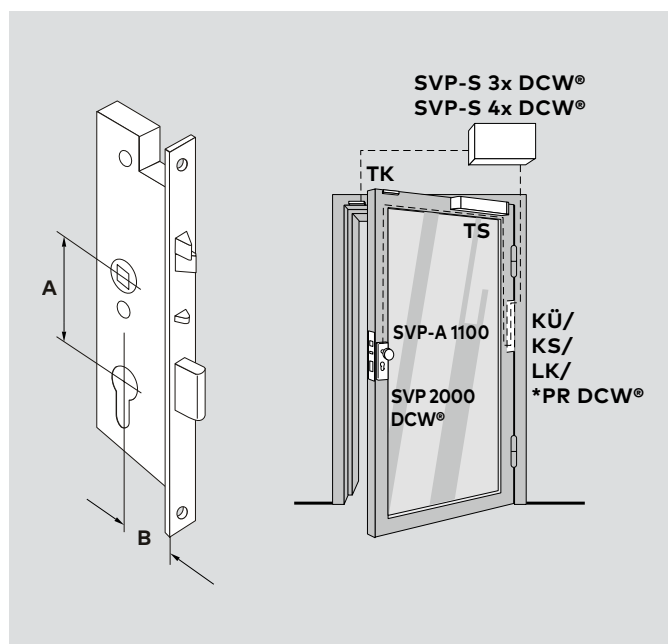
### Required accessories

(to be ordered separately):

- dormakaba S4x DCW® motor lock control unit when feedback contacts are needed
- dormakaba SVP-A connection cable
- dormakabacable transition/cable loop
- dormakaba TK Reed door contact



SVP 22xx/SVP 23xx



SVP 27xx/SVP 28xx

**KÜ** Cable transition **KS** Cable loop **LK** detachable cable transfer **PR** Power reserve module  
**A** Distance **B** Backset

SVP 2xxx DCW® for wide stile doors									
Lock cylinder	Door type	Distance A	Backset B	DIN	Type	Article no.			
PC	Rebated door Forend: 235 x 20	72	55	L	SVP 2251	70225100			
				R	SVP 2252	70225200			
			60	L	SVP 2261	70226100			
				R	SVP 2262	70226200			
			65	L	SVP 2271	70227100			
				R	SVP 2272	70227200			
			80	L	SVP 2281	70228100			
				R	SVP 2282	70228200			
			100	L	SVP 2291	70229100			
	R	SVP 2292		70229200					
	Non-rebated door Forend: 235 x 24	74	55	L/R	SVP 2257/2258	70225700			
				60	L/R	SVP 2267/2268	70226700		
				65	L/R	SVP 2277/2278	70227700		
				80	80	SVP 2287	70228700		
				100	100	SVP 2297	70229700		
	RC	Rebated door Forend: 235 x 20	74	60	L	SVP 2361	70236100		
					R	SVP 2362	70236200		
65				L	SVP 2371	70237100			
				R	SVP 2372	70237200			
80				L	SVP 2381	70238100			
				R	SVP 2382	70238200			
100				L	SVP 2391	70239100			
				R	SVP 2392	70239200			
Non-rebated door Forend: 235 x 24				74	60	L/R	SVP 2367/2368	70236700	
		65	L/R			SVP 2377/2378	70237700		
		80	L/R			SVP 2387	70238700		
		100	L/R			SVP 2397	70239700		
SVP 2xxx DCW® for narrow stile doors									
Lock cylinder		Door type	Distance A	Backset B	DIN	Type	Article no.		
PC		Narrow stile door Forend: 270 x 24	92	35	Universal	SVP 2719	70271900		
				40	Universal	SVP 2729	70272900		
	45			Universal	SVP 2739	70273900			
RC		94	35	Universal	SVP 2819	70281900			
			40	Universal	SVP 2829	70282900			
			45	Universal	SVP 2839	70283900			

All dimension data in millimetres (mm)

**PC** European profile cylinder**RC** Profile round cylinder

## SVP-S – Motor lock control units

dormakaba motor lock are used to control motor locks of the SVP 2000 DCW®.

In addition to a number of integrated functions, the control unit serves as an interface between the lock and the building control system, which, for example, allows for the output of status information or the integration of the system into an already existing IP (LAN) or LON network. The control units are available in various housing options – some with a power supply unit.

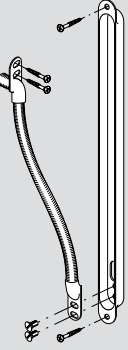


Usage		Usable motor lock control unit		
		None	SVP-S4x	Direct via DCW®
Basic opening function only, no additional functions	SVP 2000 DCW®	●	–	–
Full functional range, stand-alone unit	SVP 2000 DCW®	–	●	–
Can be integrated into networks (LON or LAN)	SVP 2000 DCW®	–	●	–
Configuration via TMS Soft	SVP 2000 DCW®	–	●	–
Connection to dormakaba DCW® components (TMS system or ED with DCW® interface)	SVP 2000 DCW®	●	–	●

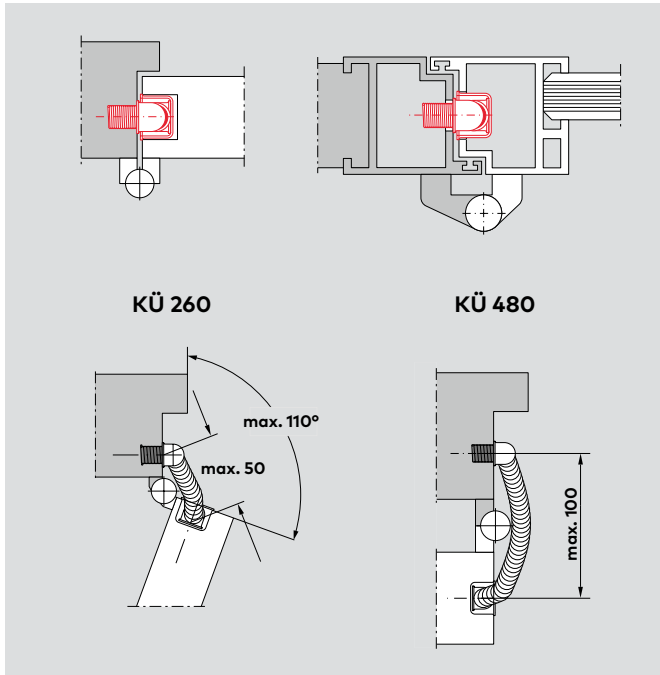
● yes – no

## SVP-S 4X DCW® – Motor lock control units

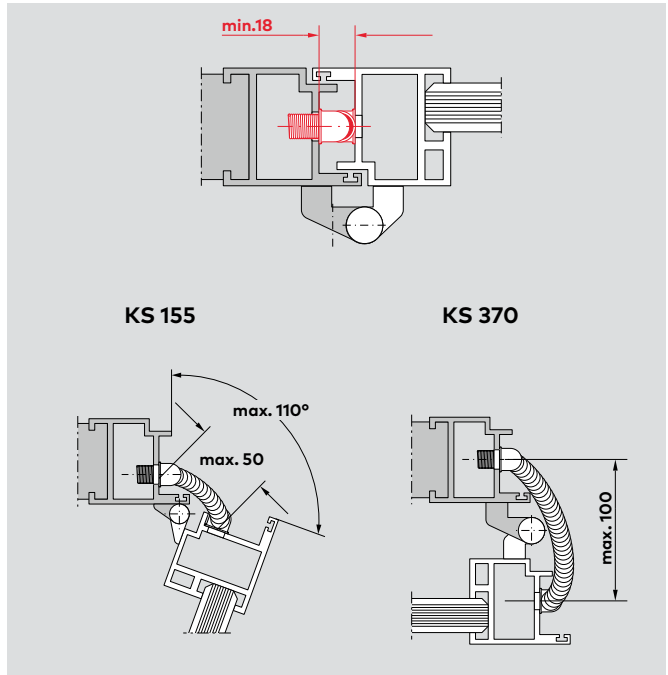
	Specification text	Article no.
	<p><b>SVP-S 4x DCW®</b>                      For operation of the panic motor locks with automatic locking action SVP 2000 DCW®, in stand-alone mode without dormakaba TMS door management system or ED 100/250 for the full functional range. Configured for motorised unlocking of the door via access control systems (provided by the customer). The control unit is connected to the lock via the DCW® system bus. If required, the control unit can be networked over a LAN/LON. The extended parameterisation, visualisation and use of access control functions is done via the integrated RS-232 interface/LAN/LON using TMS Software/TMS Software Basic (from version 4.5).                      Inputs: activation of the motor lock for short-term or permanent door release, smoke detector, door contact.                      Outputs can be parameterised via TMS Soft. Outputs: "locked", "un-locked", "door closed", "handle operation", alarm, "door open".</p> <p>Connection: 24 V DC                      Peak starting current: 150 mA (SVP)/1.5 A (M-SVP)                      Closed-circuit current: approx. 66 mA                      Maximum load current: 24 V DC; 0.5 A inductive, 1 A resistive</p>	
	<p><b>SVP-S 42 DCW®</b>                      Supply for installation in switch cabinets and as replacement/extension.</p> <p>Connection: 24 V DC</p>	70922042
	<p><b>SVP-S 43 DCW®</b>                      Installed in plastic housing, IP 40.</p> <p>Connection: 24 V DC                      Housing dimensions (W x H x D): approx. 200 x 120 x 90 mm</p>	70922043
	<p><b>SVP-S 44 DCW®</b>                      Installed in plastic housing, IP 54, with dormakaba NT 24–1.5 S power supply unit.</p> <p>Connection: 230 V AC +/- 10%.                      Housing dimensions (W x H x D): approx. 200 x 120 x 90 mm</p>	70922044
	<p><b>SVP-S 45 DCW®</b>                      For connection to 230 V, IP 30, prepared for emergency power supply from AP 1224 rechargeable battery pack (not included).                      Dimensions (W x H x D): 305 x 380 x 130 mm</p>	70922045
	<p><b>SVP-S 46 DCW®</b>                      For top hat rail installation</p>	70922046
	<p><b>SVP-PR DCW®</b>                      Power reserve module. Additional module for guaranteeing automatic re-locking in case of power failure.</p>	70922601

## Accessories

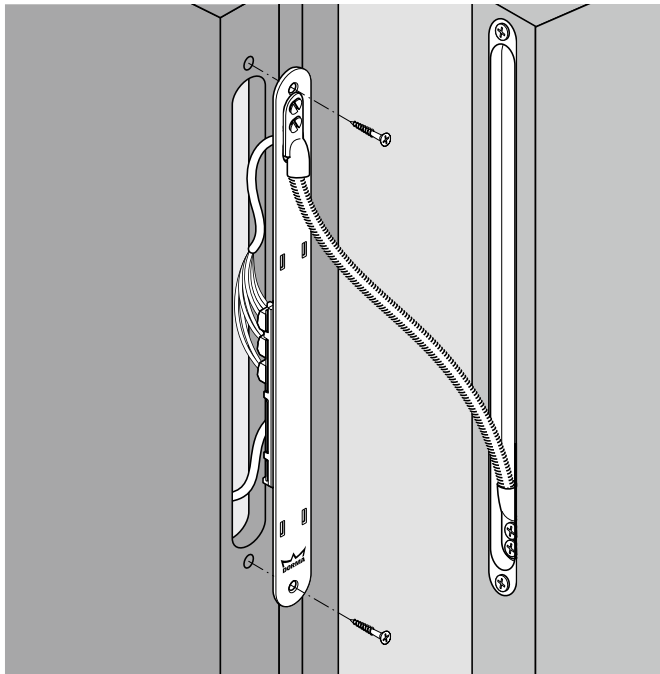
	Specification text	Article no.
	<p><b>Cable transition</b> Robust stainless steel spiral with stainless steel box for inserting flexible connection cables up to 8 mm Ø. Provides a crush-free and tamper-proof connection between the leaves and frames of doors and windows.</p> <p><b>Cable transition 260</b> For door hinges with a pivot of up to 18 mm and opening angle up to 110°, flexible length of the spiral: 155 mm, installation dimensions of the installation case (B x H x D): approx. 24 x 260 x 17 mm</p> <p><b>Cable transition 480</b> For door hinges with a pivot of up to 36 mm and opening angle up to 180°, flexible length of the spiral: 370 mm, installation dimensions of the installation case (B x H x D): approx. 24 x 480 x 17 mm</p>	<p>15811000</p> <p>15813000</p>
	<p><b>Cable loop</b> Robust stainless steel spiral with stainless steel box for inserting flexible connection cables up to 8 mm Ø between movable elements with hollow spaces, can also be used as a cable swing.</p> <p><b>Cable loop 155</b> For door hinges with a pivot of up to 18 mm and opening angle up to 110°, flexible length of the spiral: 155 mm, installation dimensions of the installation case (B x H x D): approx. 17 x 255 x 15 mm</p> <p><b>Cable loop 370</b> For door hinges with a pivot of up to 36 mm and opening angle up to 180°, flexible length of the spiral: 370 mm, installation dimensions of the installation case (B x H x D): approx. 17 x 470 x 15 mm</p>	<p>15817000</p> <p>15819000</p>
	<p><b>LK-12 detachable cable transfer plug connection</b> LK detachable cable transfer plug connection for installation in the door frame, can be combined with the cable transitions and cable loops. 12-wire, with rear-side connection terminals. The plug-in screw terminal allows for an easy plugging-in and unplugging of the connection cables of SVP locks for the flexible and quick installation, disassembly and maintenance of the door.</p> <p>Dimensions (W x H x D): 24 x 300 x 3 mm  Dimensions including PCB (B x H x D): 24 x 300 x 20 mm  Maximum current-carrying capacity: 2 A  Maximum voltage: 48 V DC  Maximum cable cross-section for each connecting terminal: Ø 0.8 mm</p>	<p>15813010</p>



Cable transition 260/480



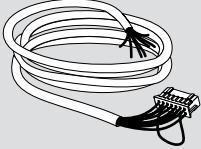
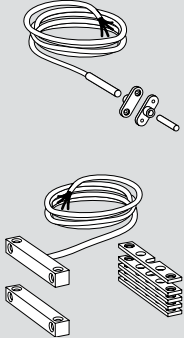
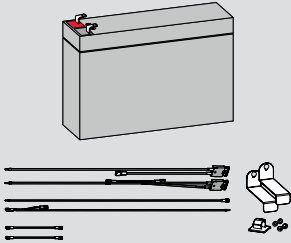

Cable loop 155/370








LK detachable cable transfer plug connection LK 12

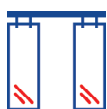


## SVP/SVZ accessories

	Specification text	Article no.
	<p><b>SVP-A 1100</b> Connection cable, 12-core, with coupling notched on one side for reverse-polarity protected connection to SVP 6xxx, SVP 4xxx and SVP 2xxx</p> <p>Length = 10 m, LIYY 12 x 0.23 mm<sup>2</sup>, Ø = 6.5 mm</p> <p><b>SVP-A adapter (A1000)</b> Adapter for connecting SVP locks to the old SVP-A 1000 connection cable that cannot be replaced in the existing stock with the connection cable SVP-A 1100. Length 120 mm</p> <p><b>SVP-A adapter (A1100)</b> For connecting an SVP in old design to the SVP-A 1100 connection cable. Length 120 mm</p>	<p>70932992</p> <p>70932991</p> <p>70932296</p>
	<p><b>TK</b> Reed door contact for monitoring of door openings, with 4 m flexible connection cable and integrated sabotage line, <b>NC contact</b>, maximum load current: max. 10 W. Supplied with magnet in the same housing.</p> <p>Only for flush-mounted installation in wooden doors (VdS no. G 191518, class B), dimensions (Ø x D): approx. 6 x 30 mm</p> <p><b>TK 103</b> brown <b>TK 110</b> white</p> <p>Only for surface mounting in wooden and metal doors (VdS no. G 191523, grade B), dimensions (W x H x D): approx. 55 x 10 x 10 mm</p> <p><b>TK 203</b> brown <b>TK 210</b> white</p>	<p>49931103</p> <p>49931110</p> <p>49931203</p> <p>49931210</p>
	<p><b>AP 1224 battery pack</b> Battery pack for SVP-S 45 DCW® for maintaining the function of the motor lock control unit in case of a power failure/voltage drop.</p> <p><b>Cable set 24 V</b> Cable set for connecting two or four battery packs to the USV-24 emergency power supply unit.</p>	<p>56622400</p> <p>56622401</p>
	<p><b>Bolt contact switch</b> VdS class C no. G 103 079 with a floating change-over contact to monitor the locking of doors. Version specially tailored to SVP locks.</p> <p>Class of protection: IP 68 connection cable: 4 m LIYY 3 x 0.14 mm<sup>2</sup> switching capacity: 30 V DC, 200 mA</p>	<p>15198000</p>

	Additional Accessories	Article Number
	INTUMESCENT KITS	
	INTUMESCENT PACK FOR USE ON 60MM SVP SERIES LOCK CASE WITH 24MM FORENDS	40SVP6024
	INTUMESCENT PACK FOR USE ON 65MM SVP SERIES LOCK CASE WITH 24MM FORENDS	40SVP6524
	<b>EN 179 OGRO CORE LEVER HANDLE SET TO SUIT SVP 6000 - TIMBER /STEEL DOORS</b>	
	OGRO CORE EN 179 SET - 8100FS LEVER/ROSE C/W EURO PROFILE ESCUTCHEONS SSS	90050063189
	* PLEASE ORDER SPLIT SPINDLE TO SUIT DOOR THICKNESS	
	SPLIT SPINDLE TO SUIT 30-44MM DOOR THICKNESS	90050056617
	SPLIT SPINDLE TO SUIT 45-59MM DOOR THICKNESS	90050056619
	<b>EN 179 OGRO CORE LEVER/ROUND KNOB TO SUIT SVP 5000, 4000 &amp; 2000 - TIMBER /STEEL DOORS</b>	
	OGRO CORE EN 179 SET - 8100FS/3548FS LEVER/FIXED KNOB COMBINATION C/W EURO PROFILE ESCUTCHEONS SSS	90050063532
	- TO SUIT 37MM- 63MM DOOR THICKNESS	
	<b>EN 179 OGRO CORE LEVER HANDLE SET TO SUIT SVZ 6000 - TIMBER /STEEL DOORS</b>	
	OGRO CORE EN 179 SET - 8100FS LEVER/ROSE C/W EURO PROFILE ESCUTCHEONS SSS	90050063189
	- TO SUIT 37MM- 63MM DOOR THICKNESS	
	<b>EN 179 OGRO CORE LEVER HANDLES &amp; ESCUTCHEONS TO SUIT SVP 6000 LOCKS</b>	
	<b>NARROW STILE DOORS</b>	
	OGRO CORE 8100 FS SINGLE LEVER ON OVAL ROSE - NO SPINDLE - FIXINGS BY OTHERS - ORDER 2NO FOR PAIR	90050054275
	OGRO CORE SINGLE OVAL ESCUTCHEON EURO PROFILE SSS - FIXINGS BY OTHERS - ORDER 2NO FOR PAIR	90050056642
	* PLEASE ORDER SPLIT SPINDLE TO SUIT DOOR THICKNESS	
	SPLIT SPINDLE TO SUIT 30-44MM DOOR THICKNESS	90050056619
	SPLIT SPINDLE TO SUIT 45-59MM DOOR THICKNESS	90050056621
	<b>EN 179 OGRO CORE LEVER/FIXED KNOB &amp; ESCUTCHEONS TO SUIT SVP 5000, 4000 &amp; 2000 LOCKS</b>	
	<b>NARROW STILE DOORS</b>	
	OGRO CORE 8100 FS SINGLE LEVER ON OVAL ROSE - NO SPINDLE - FIXINGS BY OTHERS - ORDER 1NO	90050054275
	OGRO CORE 3548VO FS SINGLE OFFSET ROUND FIXED KNOB ON OVAL ROSE SSS - FIXINGS BY OTHERS - ORDER 1NO	90050054258
	OGRO CORE SINGLE OVAL ESCUTCHEON EURO PROFILE SSS - FIXINGS BY OTHERS - ORDER 2NO FOR PAIR	90050056642
	* PLEASE ORDER COMBINATION SPINDLE TO SUIT DOOR THICKNESS	
	COMBINATION SPINDLE TO SUIT 38-47MM DOOR THICKNESS	90050052912
	COMBINATION SPINDLE TO SUIT 48-59MM DOOR THICKNESS	90050052921

# Our products



## Interior Glass Systems

System solutions made from glass for a wide range of everyday and office applications



## Mechanical Key Systems

Systems that enable access rights and key control to all rooms within the premises



## Lodging Systems

Hotel locks and locking systems as well as access management solutions for holiday homes



## Electronic Access & Data

Electronic access control and workforce management for efficient access management, security and data collection



## Entrance Systems

Automated access solutions for convenient access to buildings



## Door Hardware

Solutions for residential or commercial projects



## Safe Locks

Security locks for preventing unauthorized access to goods, valuables, information or hazardous substances



## Services

Tailor-made services and customized maintenance for long-term functional integrity of access and security solutions

